

## De-rating Forklift Truck Capacity

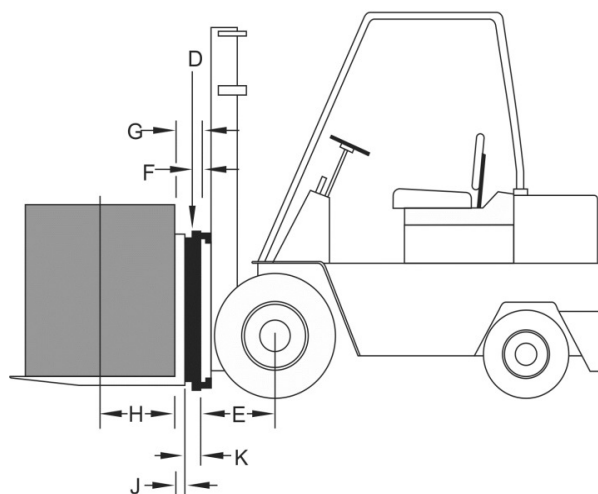
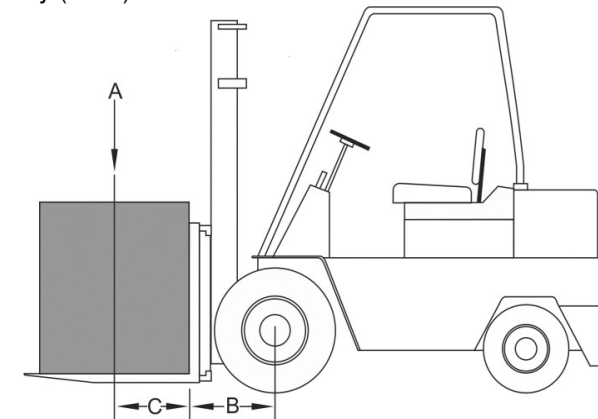
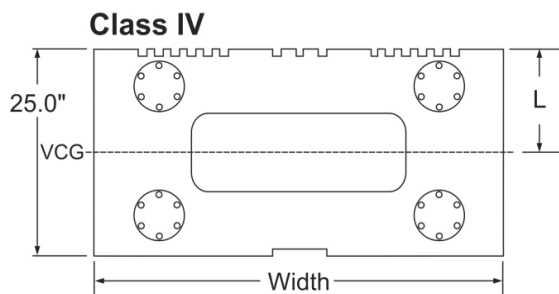
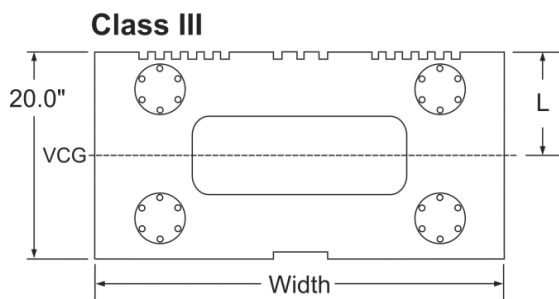
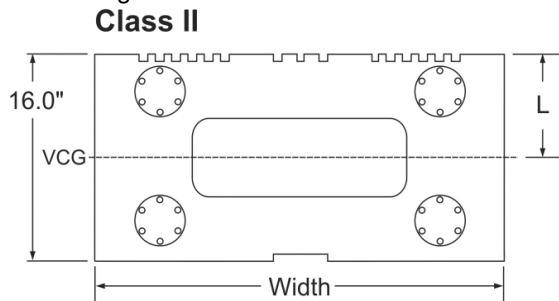
**The capacity rating plate on the forklift truck must be corrected when attachments are installed.**

This is called derating **the lifting capacity**. This is a rules and regulations mandate. A calculation formula is provided below. It is the forklift owner's responsibility to contact their forklift truck manufacturer / distributor with this information to obtain a new capacity rating on the forklift's nameplate.

The FLSC forklift scale comes in an ITA Class II (16" high, 5,000lb/2,500kg) model. The QTLTSC forklift truck scale comes in ITA Class II (16" high, 5,000 lb/2,500 kg) and ITA Class III (20" high, 5,000 lb/2,500 kg and 10,000 lb/5,000 kg) and Class IV (25" high, 10,000lb and 16,000lb) models. Each class comes in several widths for cleat type carriages. Measure the height and width of the forklift truck carriage. Select from the tables in this document, the appropriate width that best meets the dimensions of the forklift truck carriage. Use the weights, dimensions and the following formula to calculate the net lifting capacity of your forklift truck with a scale attached. Refer to the illustrations.

$$\text{Net Capacity} = \frac{A(B + C) - D(E + F)}{E + G + H}$$

- A = Truck basic capacity, pounds
- B = Inches from front wheel center line to fork face
- C = Inches from fork face to truck rating point (usually 24")
- D = Weight of the scale in pounds
- E = Inches from front wheel center line to carriage face
- F = Inches from carriage face to scale center of gravity (CG)
- G = J + K (Inches from carriage face to rear face of load)
- H = Inches from fork face to new truck rating point
- J = Thickness of fork
- K = Thickness of scale
- L = ½ the height of the scale or the Vertical Center of Gravity (VCG)



All dimensions in inches

**FLSC Class II**  
**5,000lb/2,500kg Models**  
**16" High**

Width	Weight "D"	DIM "F"	DIM "K"	DIM "L"
30.0"	319 lb	2.0	4.0	8.00
32.0"	339 lb	2.0	4.0	8.00
34.0"	346 lb	2.0	4.0	8.00
36.0"	365 lb	2.0	4.0	8.00
37.0"	369 lb	2.0	4.0	8.00
38.0"	373 lb	2.0	4.0	8.00
40.0"	396 lb	2.0	4.0	8.00
42.0"	404 lb	2.0	4.0	8.00
43.0"	417 lb	2.0	4.0	8.00

**QTLTS & QTLTSC Class II**  
**5,000lb/2,500kg Models**  
**16" High**

Width	Weight "D"	DIM "F"	DIM "K"	DIM "L"
30.00"	337 lb	2.0	4.0	8.00
32.00"	368 lb	2.0	4.0	8.00
34.00"	378 lb	2.0	4.0	8.00
36.00"	399 lb	2.0	4.0	8.00
37.00"	403 lb	2.0	4.0	8.00
38.00"	408 lb	2.0	4.0	8.00
40.00"	439 lb	2.0	4.0	8.00
42.00"	448 lb	2.0	4.0	8.00

**QTLTS & QTLTSC Class III**  
**5,000lb/2,500kg Models**  
**20" High**

Width	Weight "D"	DIM "F"	DIM "K"
36.00"	573 lb	2.0	4.0
38.00"	587 lb	2.0	4.0
40.00"	630 lb	2.0	4.0
42.00"	644 lb	2.0	4.0
44.00"	688 lb	2.0	4.0
46.00"	702 lb	2.0	4.0
48.00"	715 lb	2.0	4.0

**QTLTS & QTLTSC Class III**  
**10,000lb/5,000kg Models**  
**20" High**

Width	Weight "D"	DIM "F"	DIM "K"	DIM "L"
38.00"	714 lb	2.75	5.50	10.00
40.00"	730 lb	2.75	5.50	10.00
42.00"	781 lb	2.75	5.50	10.00
44.00"	797 lb	2.75	5.50	10.00
46.00"	848 lb	2.75	5.50	10.00
48.00"	864 lb	2.75	5.50	10.00
50.00"	915 lb	2.75	5.50	10.00
52.00"	931 lb	2.75	5.50	10.00
54.00"	982 lb	2.75	5.50	10.00
56.00"	998 lb	2.75	5.50	10.00
58.00"	1,013 lb	2.75	5.50	10.00
60.00"	1,024 lb	2.75	5.50	10.00

All dimensions in inches

**QTLTSC Class IV  
 10,000lb Models  
 25" High**

<b>Width</b>	<b>Weight "D"</b>	<b>DIM "F"</b>	<b>DIM "K"</b>	<b>DIM "L"</b>
38.0"	920 lb	2.75	5.5	12.5
40.0"	941 lb	2.75	5.5	12.5
42.0"	1,007 lb	2.75	5.5	12.5
44.0"	1,028 lb	2.75	5.5	12.5
46.0"	1,093 lb	2.75	5.5	12.5
48.0"	1,114 lb	2.75	5.5	12.5
50.0"	1,179 lb	2.75	5.5	12.5
52.0"	1,200 lb	2.75	5.5	12.5
54.0"	1,266 lb	2.75	5.5	12.5
56.0"	1,287 lb	2.75	5.5	12.5
58.0"	1,306 lb	2.75	5.5	12.5
60.0"	1,322 lb	2.75	5.5	12.5

**QTLTSC Class IV  
 16,000lb Models  
 25" High**

<b>Width</b>	<b>Weight "D"</b>	<b>DIM "F"</b>	<b>DIM "K"</b>	<b>DIM "L"</b>
38.0"	1,068 lb	3.06	6.13	12.5
40.0"	1,092 lb	3.06	6.13	12.5
42.0"	1,154 lb	3.06	6.13	12.5
44.0"	1,178 lb	3.06	6.13	12.5
46.0"	1,239 lb	3.06	6.13	12.5
48.0"	1,263 lb	3.06	6.13	12.5
50.0"	1,338 lb	3.06	6.13	12.5
52.0"	1,362 lb	3.06	6.13	12.5
54.0"	1,437 lb	3.06	6.13	12.5
56.0"	1,461 lb	3.06	6.13	12.5
58.0"	1,484 lb	3.06	6.13	12.5
60.0"	1,592 lb	3.06	6.13	12.5
62.0"	1,616 lb	3.06	6.13	12.5
64.0"	1,639 lb	3.06	6.13	12.5
66.0"	1,747 lb	3.06	6.13	12.5
68.0"	1,771 lb	3.06	6.13	12.5
70.0"	1,794 lb	3.06	6.13	12.5
72.0"	1,812 lb	3.06	6.13	12.5