

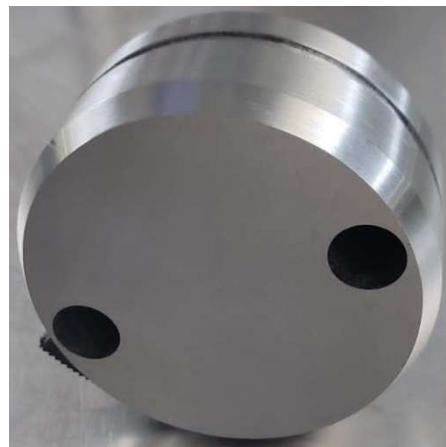
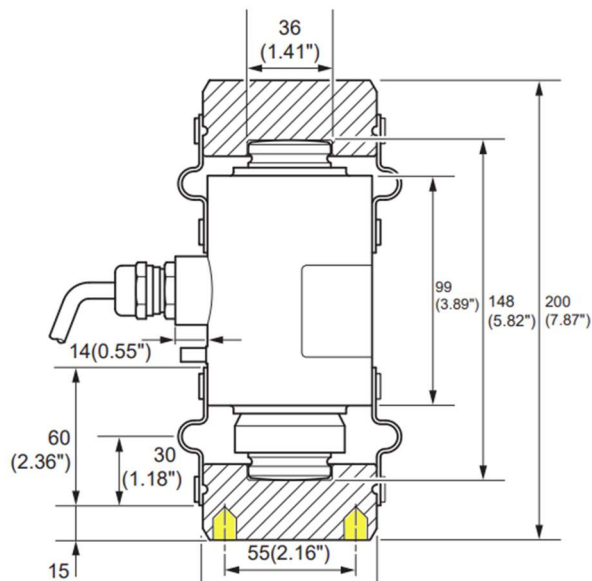
Bulletin: T-Cell Load Button Upgrade

Product: T-Cell Issue: 1

Date Created: May,2023 Last Updated:

Introduction:

We have upgraded our anti-rotation measures on our T-Cell range of load cells by adding two location pin holes to the bottom load button. These pin holes are not only for anti-rotation but can also be used as a location device for specials where the cells need to be moved from time to time.



These pin holes do not affect the performance of the load cell. They are backwards compatible with T-Cells with or without pin holes.

The load cell part numbers remain the same. All new orders of ZT cells will start coming with the upgrade buttons soon followed later in the year by the T302X load cells.

Note: These location load buttons can also be fitted on the top of the load cell. This allows the load cells to be used in applications where the load cells needs to be held in position from the top and bottom of the cell.

For Setup instructions and manuals please contact ExpTechSupport@awtx-itw.com