

WEIGHBRIDGES

Avery Weigh-Tronix

Legendary reliability and precision with the exclusive Weigh Bar® and rugged weighbridge design backed by an industry-leading warranty.

Weighbridges

A Rugged Lineup

A wide variety of reliable, rugged and precise weighbridges to suit any vehicle or location

Avery Weigh-Tronix

Avery Weigh-Tronix understands the needs of weighbridge users like no other organisation. We offer a single reliable source for weighbridges, indicators, software and service. All backed by the technical support and unrivalled nationwide service coverage only the UK's leading weighing company can provide.

BridgeMont®

Long-lasting performance for heavy traffic and axle loads

The versatile BridgeMont series truck scales are designed for the majority of users – those that require a dependable, long-lasting scale. The BridgeMont series offers an unbeatable combination of structural integrity and cost effectiveness. Available in steel or concrete with many sizes and capacities to choose from, BridgeMont fits virtually any application.

- › **Fully Assembled** – Scales arrive on-site fully assembled and are easily installed in a pit, or above ground on a slab or piers. Available with a steel or concrete deck surface.
- › **Low Profile** – Features a low 355mm profile that saves space and construction costs by using a shorter approach area. Higher profile for additional clearance is easily accomplished with affordable base plate options.
- › **Standard to Custom** – A wide range of standard lengths and widths or custom built to customer specifications.



BridgeMont Steel



BridgeMont Concrete

Selection Guide

	BridgeMont Steel	BridgeMont Concrete
Gross Capacity	40 - 100 Tonnes	40 - 100 Tonnes
Dual Tandem Axle	30 Tonnes	30 Tonnes
Trade Approved	●	●
Standard Module Lengths		
Standard Total Bridge Lengths (metres)	6, 7, 7.5, 8, 9, 12, 15, 16, 18, 21, 22, 24	6, 7, 7.5, 8, 9, 12, 15, 16, 18, 21, 22, 24
Custom Lengths	①	①
Standard Module Widths	3, 3.35 m	3, 3.35 m
Custom Widths	Up to 4.5 m	Up to 4.5 m
Imperial Sizes	●	●
Weight Sensor		
Weigh Bar	●	●
Stainless Steel Weigh Bar	○	○
T302X Load Cell	○	○
Suspension System	Easi-Post	Easi-Post
Deck Surface	Steel	Concrete
Finish	Paint	Tamped
Paint Finish		
C3: red	●	●
C4, C5, C5M options	○	○
Stainless Steel Junction Box	●	●
Build Versions		
Surface Mount with Guide Rails	●	●
Pit Mount	●	●
Gradient Kits	○	○
Steel Ramps	○	○

● Standard ○ Option — Not available ① Consult Factory

Outstanding Warranty

Avery Weigh-Tronix weighbridges are specifically designed for long-lasting performance in tough conditions. Our rugged designed and high quality construction are backed by a comprehensive warranty, offering you added reassurance and peace of mind.

2 YEARS All Weigh Bars and load cells.

5 YEARS BridgeMont steel weighbridge structure.

5 YEARS BridgeMont concrete weighbridge structure.

Environmental Protection

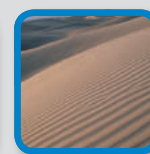
Environmental seals, stainless steel sheathed cable, surge protection, heavy-duty coatings and rugged construction help protect Avery Weigh-Tronix weighbridges from adverse weather conditions and operating environments.



LIGHTNING
AND SURGES



MOISTURE



DUST AND DIRT



Design Features

Exclusive design features are what make Avery Weigh-Tronix weighbridges #1 in the industry.

Composite concrete design

Unlike many competitors, only the top half (127mm) of the deck is poured, allowing the concrete to stay in compression. Tension forces are handled by the high-strength steel structure below the concrete. Fiber-mesh concrete is specified to increase strength and resist cracking.

Factory welded studs bond the concrete to the steel structure, eliminating the need for costly and time-consuming rebar.

Concrete deck cutaway

High-strength steel construction

Only the highest quality structural steel is used. Automated continuous welding provides extra strength and no weak spots.

Exceptional rust and corrosion protection

External surfaces are shot blasted and treated with the high specification industrial paint finish to seal out the elements.

No check rods or bumper bolts

Internal checking system at each section is self-aligning. Safely prevents excessive scale movement during acceleration and braking.

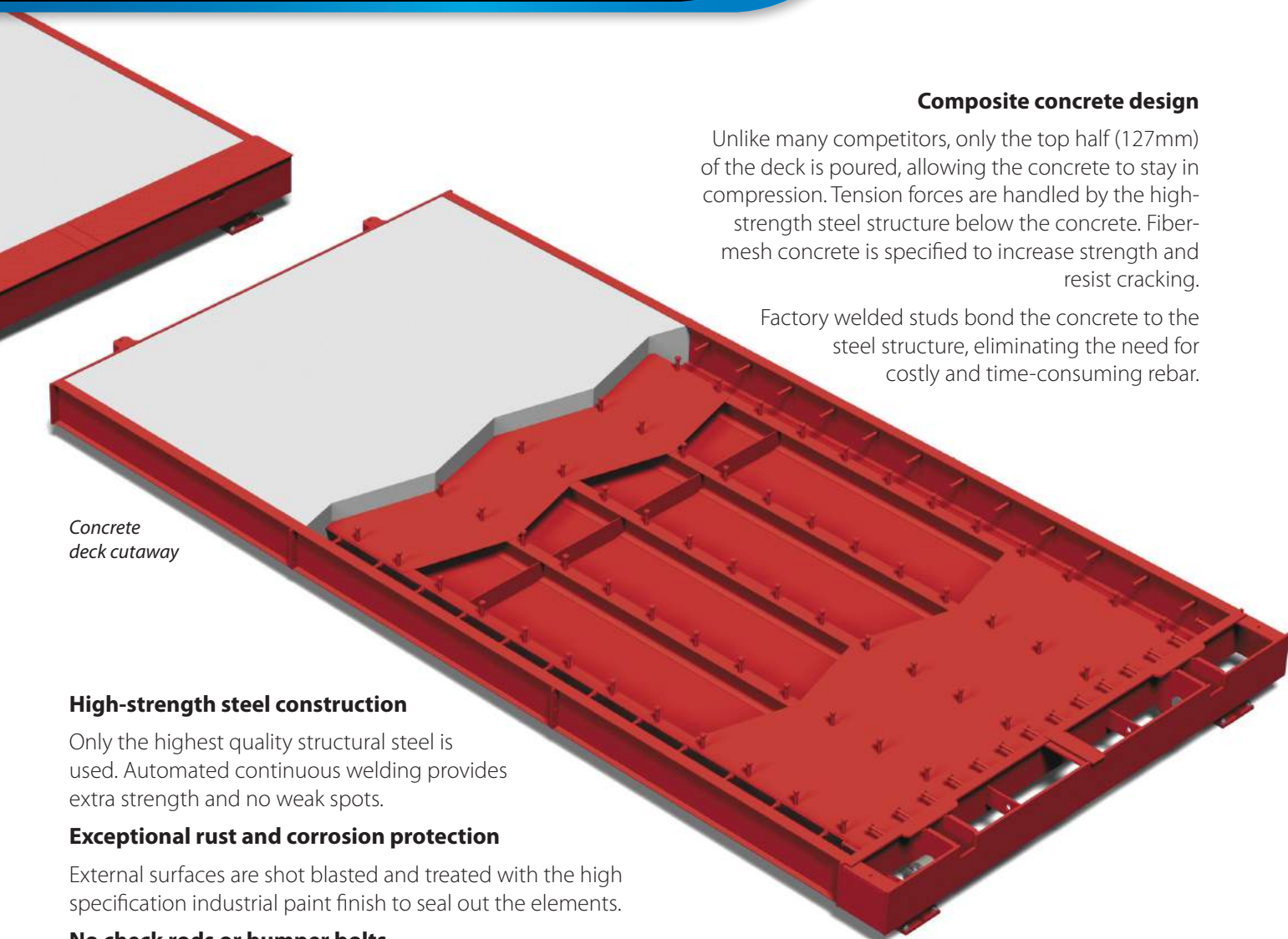
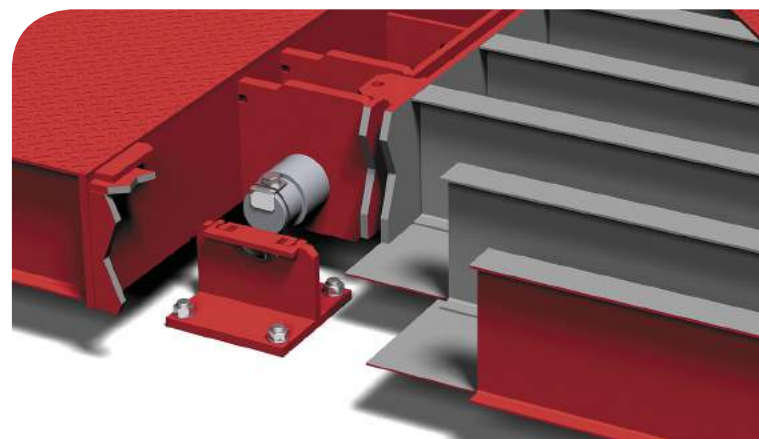
No exposed wiring

Cables are routed through steel conduit for extra protection.

Solid underside

Bottom plates are important stress carrying members that increase strength and rigidity by joining the bottom I-beam flanges together. 100% welding ensures maximum strength and corrosion prevention.

Steel deck cutaway





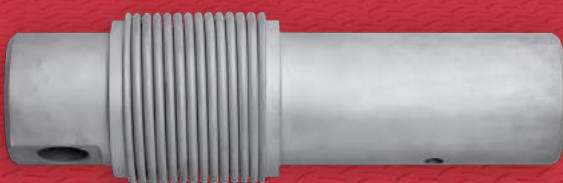
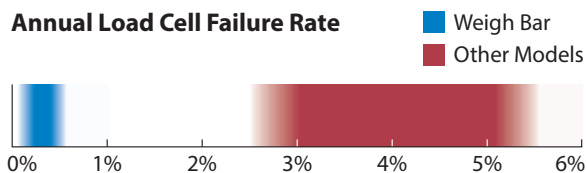
Weigh Bar® Weight Sensor

A proven weight sensor

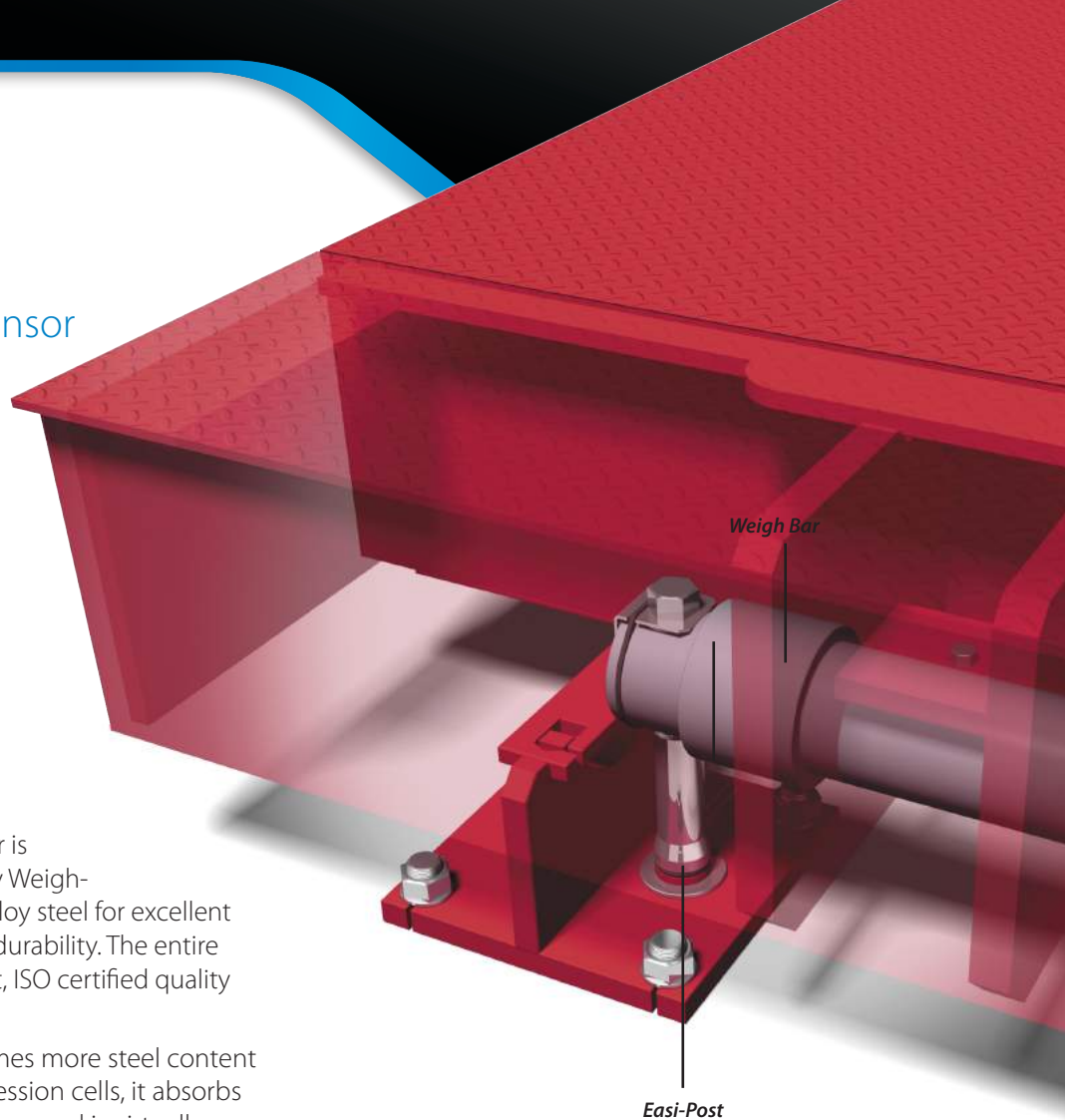
For over 30 years, the exclusive Avery Weigh-Tronix Weigh Bar has enjoyed a reputation for precision and reliability – something no other load cell can match. The Weigh Bar's long service life is a key factor why Avery Weigh-Tronix weighbridges offer the lowest cost of ownership, with fewer service calls and costly load cell replacements.

- › **Consistent** – Each Weigh Bar is precision machined by Avery Weigh-Tronix from aircraft-quality alloy steel for excellent repeatability and long-term durability. The entire process is controlled by strict, ISO certified quality standards.
- › **Rugged** – With up to ten times more steel content than shear beams or compression cells, it absorbs impact to minimise peak forces and is virtually fatigue-proof. The Weigh Bar is proven to resist electrical surges and is protected by a 2-year warranty that includes coverage against lightning damage.
- › **Accurate** – The sensor's design automatically cancels the effects of side loading, end loading and twisting, resulting in quick, accurate readings which are achieved regardless of temperature change, vibration, and shock loads on the scale.
- › **Sealed** – The Weigh Bar is well protected against harsh environments by an exclusive 5-layer, sealing process.

Annual Load Cell Failure Rate



For the harshest environments, stainless steel Weigh Bars are available to provide an extra level of protection.



Easi-Post™ Suspension

Rugged, precise and easy to install

The Easi-Post suspension system is a proven design that offers a high degree of performance, efficiency, and durability while absorbing the energy applied to the weighbridge during braking and acceleration. Easi-Post greatly simplifies the job of leveling a weighbridge with the foundation, making it ideal for those "less than perfect" foundations. Each module may be raised or lowered by 12.5mm with a simple turn of the adjustment bolt. The heavy-duty, stainless steel components provide long-lasting performance.

- › **Strength** – The heavy-duty, stainless steel components provide long-lasting performance.
- › **Checking** – Checking systems are internal and self-aligning. They allow for deck expansion/contraction, self-check against the weighbridge end box plates and negate the need for adjustable stops.
- › **Dampening** – The patented features of Easi-Post quickly stabilise rocking motion as trucks stop and go, for fast and stable weight readings.
- › **Installation** – Base plates are anchored directly to pier tops. No grouting is necessary for proper alignment.

Manned Weighbridge Systems

Standard weighbridge systems can be configured for both uni and bi-directional traffic flows and relies on a weighbridge operator to process weight transactions. Vehicle weight readings are collected via a weight indicator using a variety of options based on the level of functionality required.



ZM510: The ZM510 is a high performance, multi-function indicator, flexible enough to control complex weighbridge systems including traffic lights, barriers and vehicle sensors. Programmable and highly connective, the ZM510 displays, analyses, stores, and

transmits data across devices, assists in detection and prevention of weighbridge fraud and offers an end-to-end personalised weighing solution.

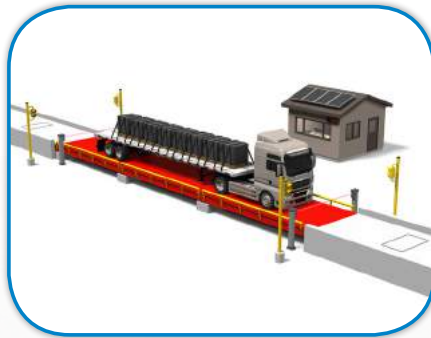


ZM305: Ideal for use in weighbridge applications, the ZM305 Indicator can record and store vehicle IDs along with their gross, tare and net weight totals, number of transactions and inbound date and time.

Weighbridge operators have the ability to print or export reports showing in, out and weight transactions.



Uni-directional



Bi-directional (traffic lights)



Bi-directional (barriers)

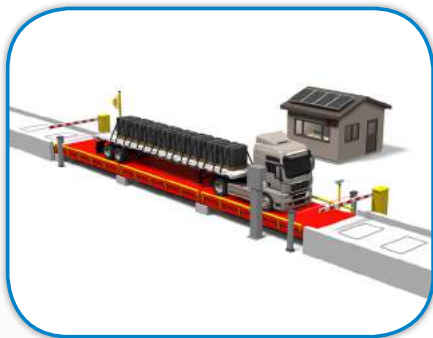


Unmanned Weighbridge Systems:

Unmanned, driver-operated consoles (DOCs) enable you to extend or streamline weighbridge operations by allowing out-of-hours access and negating the need for a weighbridge operator. Our unmanned terminals can be programmed to control simple swipe-cards to a fully marshalled weighbridge system with traffic lights, barriers and cameras.

Ti DOC: For small to medium operations, the Avery Weigh-Tronix Ti-DOC is specifically designed for where occasional or full driver operation of the weighbridge is required. With two operational modes the Ti-DOC can work as a stand-alone operation without PC software, enabling data collection via USB or on a shared CSV file, or can be linked to our Weighman 8 software for full PC data management.

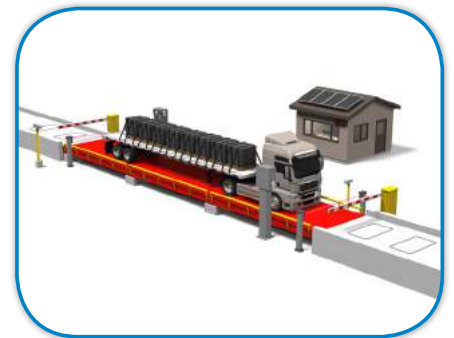
TS-DOC: For larger 24/7 operations and multi-site operations our TS-DOC allows you to extend your weighbridge operation by switching between complete driver operation during out of hours visits to use in conjunction with a weighbridge operator during normal working hours. Ideal for multi-site operations the TS-DOC offers the network flexibility of remote, off-site control or diagnostics which can be accessed through our Weighman 8 PC software.



Uni-directional



Bi-directional (traffic lights)



Bi-directional (barriers)

Optional Weighbridge Controls

- | | |
|--|--------------------------|
| 1 Automatic Number Plate Recognition – ANPR | 4 Induction Loops |
| 2 Video Surveillance | 5 Traffic Lights |
| 3 Vehicle Position Sensors | 6 Barriers |
| | 7 DOCs |
| | 8 Software |

Weighbridge controls can be used as stand-alone options, or as a complete package - just choose the controls you need. Each additional control will raise the integrity of your weighbridge and improve your site security and efficiency.

Weighman 8 Powerful Weighbridge Software

Whether you choose a manned or an unmanned weighbridge system, Weighman 8 software gives you total management reporting and control of your weighbridge operation, across one or multiple sites. Analyse your weight data to help you control wastage, monitor costs, improve site security and ensure compliance with legal requirements in the format of your choice – Excel, Access or other software packages.



Uptime SELECT™

simply better service

Uptime Select™ from Avery Weigh-Tronix is the new, simpler, smarter approach to service agreements for weighing equipment.

Uptime matters. If your weighbridge system fails you need an expert fix quickly – without unexpected delays or the surprise of additional costs. By recognising business needs and reducing exclusions, Uptime Select gives you operational capacity that is perfectly engineered.

BridgeCare Total™

All-inclusive with uptime guaranteed

For business-critical weighbridges, the challenge extends beyond just breakdown or failure.

BridgeCare Total provides rapid, fully inclusive cover with a unique uptime guarantee – the best possible way to ensure equipment is maintained, diagnosed, repaired and reverified quickly. Enjoy guaranteed uptime of at least 97% per weighing system or we'll refund a proportion of your annual fee. Track uptime for each piece of covered equipment through our online portal.

With clearly defined, transparent, all-inclusive cover, BridgeCare Total puts a stop to unexpected service charges. There's no need to raise additional purchase orders. Any call out is automatically pre-approved, fully inclusive of all labour and parts, meaning no time is wasted in getting an engineer to your site.

BridgeCare™

Extensive cover to support operational uptime

Even where weighbridges aren't part of your revenue system, failure or fault remains a serious inconvenience. Preventative maintenance is essential to ensure reliable uptime.

For a highly cost-effective annual fee, BridgeCare provides a generous level of cover to keep weighbridges properly serviced.

Cover includes calibration and preventative maintenance with swift, local access to Avery Weigh-Tronix's unrivalled fleet of ten test units UK-wide.

Call out is included with an 8-hour response, eliminating costly delays, with discounts on parts and repairs.

With a 24-hour National Response Centre, 150 experienced engineers, access to ten owned reverification units, and the extensive resources and infrastructure you'd expect from a market leader, no one is better placed to deliver the rapid response and quality service you need.



	BridgeCare Total	BridgeCare
Totally all-inclusive	✓	—
Service level guarantee	97% uptime	8 hour response
Site-dedicated engineers	✓	✓
Calibration visits included	1	1
Preventative maintenance visits included	1	1
Appointments included	✓	✓
Health checks included	1	1
Reverification included	✓	—
Weighbridge test unit included	✓	—
Call out included	✓	✓
On-site labour included	✓	First hour
Preventative maintenance parts included	✓	—
Repair parts and consumables included	✓	—
Discount on replacement equipment	✓	✓
Pick up, packaging and delivery	N/A	N/A

Avery Weigh-Tronix

www.averyweigh-tronix.com

Avery Weigh-Tronix is an ITW company



Avery Weigh-Tronix is a trademark of the Illinois Tool Works group of companies whose ultimate parent company is Illinois Tool Works Inc ("Illinois Tool Works"). Copyright © 2018 Illinois Tool Works. All rights reserved. This publication is issued to provide outline information only and may not be regarded as a representation relating to the products or services concerned. This publication was correct at the time of going to print, however Avery Weigh-Tronix reserves the right to alter without notice the specification, design, price or conditions of supply of any product or service at any time.

Weighbridge_UK_L_500322.indd
V3 AWT35-500322