

RoW Avery Weigh-Tronix, Spare Parts Guide

<i>Index</i>	<i>Page</i>
ZM110 Indicator and BSL Base	2
ZM201-5 Indicators	3
ZM301 Indicators	7
ZM303 Indicators	10
ZM305 Indicators	13
ZM401-5 Indicators	14
ZM510 Indicators	15
ZM615 Indicators	17
ZQ375 & BSG/F/D Bases	19
ZK830 Counting Scale	22
ZK840 Counting Scale	23
BSQ Bases	24
BMS Weighbridge	26
ZB210 Junction Box	28
FLTSC - QTLSC Fork Lift System	29
AWB120 Bench Scale	30
Other (H520 and 220 Axle Weigher)	31

Revision Date: 16/02/2021

Version 1.3-2021

ZM110 Indicator and BSL Base

Service Manual page 25

P/N	Description
AWT25-502469	BATTERY, 6V 4.0AH
AWT15-501904	PSU 12VDC 1A, UK – EU – USA plug adaptors
AWT25-502470	PSU 12VDC 1A, AUS plug adaptor
BSL Base	
AWT27-500241	100 kg Load Cell, L6E3-FS (OIML)
AWT27-500242	200 kg Load Cell, ""
AWT27-500252	500 kg Load Cell, ""
AWT27-500244	500 kg Load Cell, L6W-FS (OIML)
AWT20-509282	TOP PAN, 400 x400mm
AWT20-509283	TOP PAN, 400 x500mm
AWT20-509284	TOP PAN, 500 x600mm
AWT20-509267	Adjustable Column Bracket
AWT20-509280	Foot Kit

ZM200 Series Digital Weight Indicators

ZM201 STAINLESS STEEL ENCLOSURE, Service Manual page 147

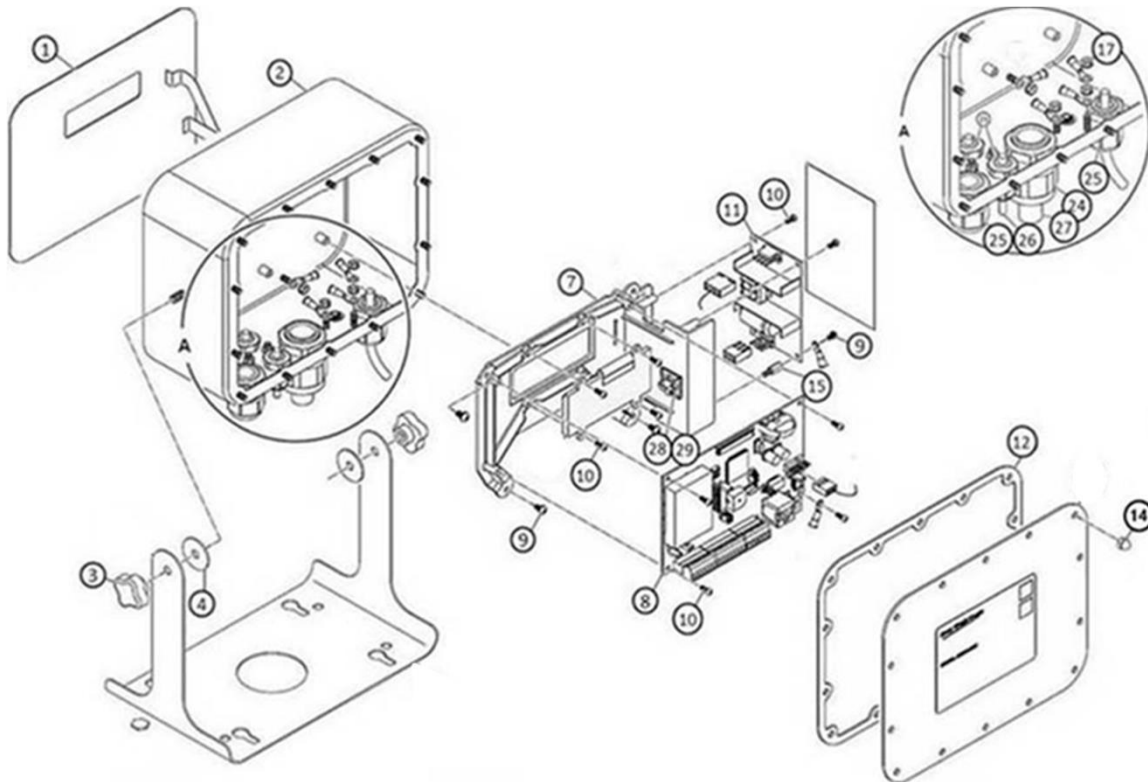


Fig. 1 - ZM201 STST Desktop

P/N	Description	Fig.1 item #
AWT05-508227	ZM201 STST - ENCLOSURE Kit	1, 2
AWT25-501446	ZM201 STST - OVERLAY Keypad, only	1
AWT05-507910	HARDWARE Kit (screw, nut, standoff, cable tie and clamp)	9, 10, 15, 17, 28, 29
AWT05-507911	KNOBS and PADS Kit (Q.ty 10 each)	3
AWT05-507912	STRAIN RELIEF Kit	22, 23, 24, 26, 27
AWT20-505668	GASKET Kit (Q.ty 5)	12
AWT05-509157	MAIN BOARD Kit (new P/N)	8
AWT20-507637	PCB BRACKET	7
AWT25-800143	PSU, 24VDC 20W	11
AWT05-506054	ACORN NUT Kit (Q.ty 100)	14
AWT25-501072	GROUND WIRE, Back plate to chassis Earth-stud	18 (not shown)
AWT25-501217	POWER CORD Kit, ZMXXX AUS	25
AWT05-506301	CONNECTORS (Green TB) Kit	
AWT25-501063	POWER CORD, DC POWER SUPPLY, ZM Series & ZQ375	

ZM201 ABS ENCLOSURE, Service Manual page 149

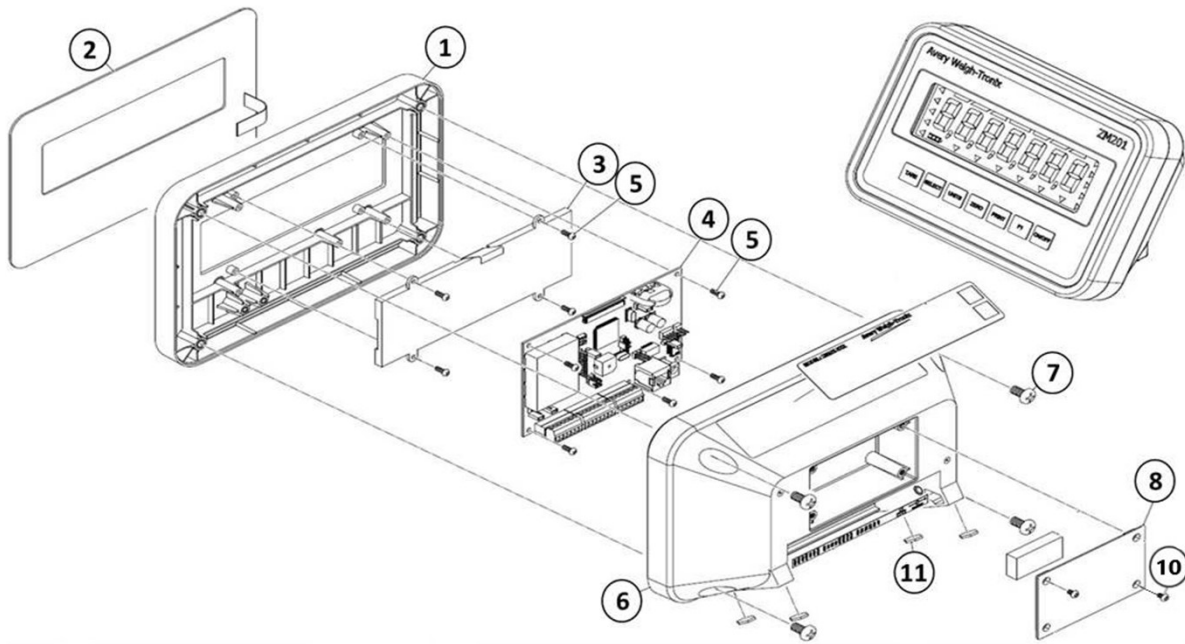


Fig. 2 - ZM201 ABS

P/N	Description	Fig.2 item #
AWT05-507913	HARDWARE Kit, Plastic (screw, loskid)	5, 7, 10, 11
AWT25-800131	KEYPAD OVERLAY, ABS ZM201	2
AWT20-800244	ZM201 ABS - ENCLOSURE, Rear	6
AWT20-800245	ZM201 ABS - ENCLOSURE, Front	1
AWT20-800246	COVER, Battery	8
AWT25-501331	DISPLAY LCD 1.2" TN	3
AWT05-509157	MAIN BOARD Kit (new P/N)	4
AWT05-506301	CONNECTORS (Green TB) Kit	
AWT05-509182	In-Line PSU 24VDC 1.9A	
AWT25-501214	POWER CORD, UK 2 Conductors (In-Line PSU)	
AWT25-501215	POWER CORD, EU 2 Conductors (In-Line PSU)	
AWT25-501216	POWER CORD, AUS 2 Conductors (In-Line PSU)	
AWT25-501313	POWER CORD, SA 2 Conductors (In-Line PSU)	

ZM201 Battery Pack - Service Manual page 149

AWT05-506255	ZM201 ABS - Battery Option Kit (no battery)
--------------	---------------------------------------------

ZM201 PANEL MOUNT, Service Manual page 152

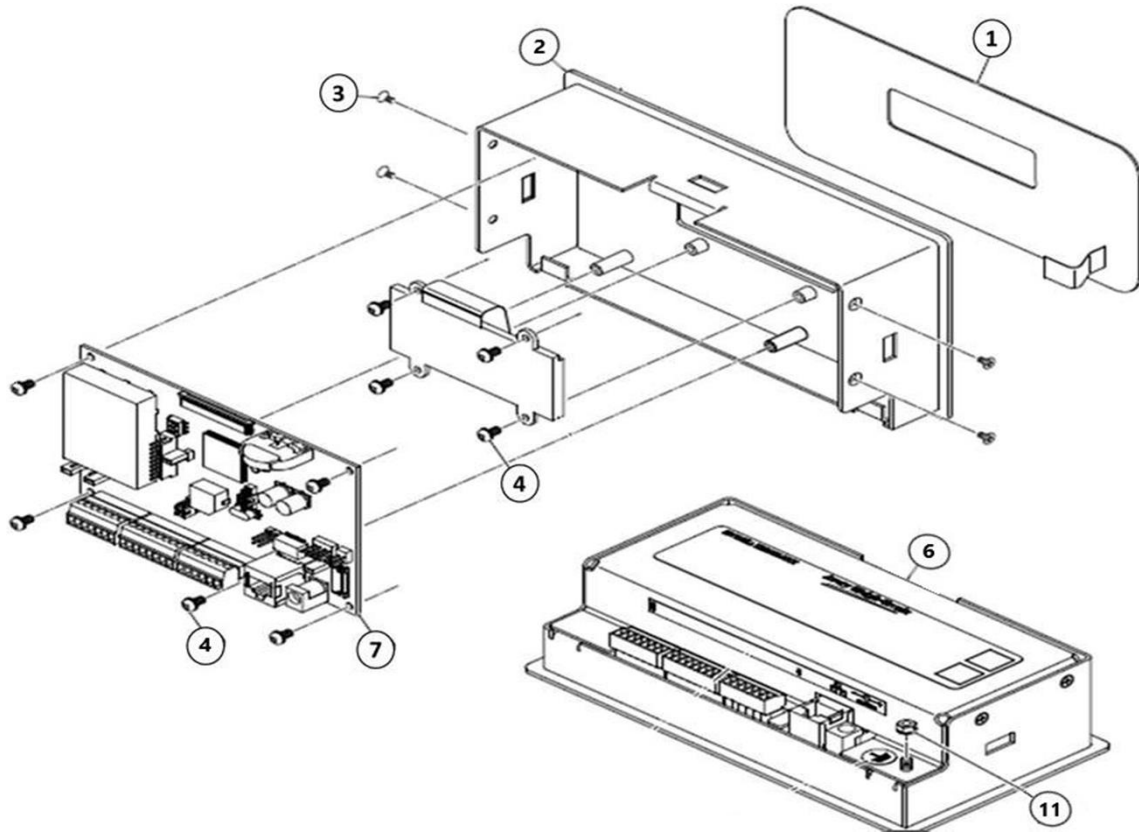


Fig. 2 - ZM201 Panel mount

P/N	Description	Fig.3 item #
AWT25-501435	ZM201 PM - OVERLAY Keypad, only	1
AWT05-507914	HARDWARE Kit, Panel Mount (screw, loskid)	3, 4, 11
AWT05-509157	MAIN BOARD Kit (new P/N)	7
AWT05-506301	CONNECTORS (Green TB) Kit	
AWT05-509182	In-Line PSU 24VDC 1.9A	
AWT25-501214	POWER CORD, UK 2 Conductors (In-Line PSU)	
AWT25-501215	POWER CORD, EU 2 Conductors (In-Line PSU)	
AWT25-501216	POWER CORD, AUS 2 Conductors (In-Line PSU)	
AWT25-501313	POWER CORD, SA 2 Conductors (In-Line PSU)	

ZM205 PANEL MOUNT, Service Manual page 110/111

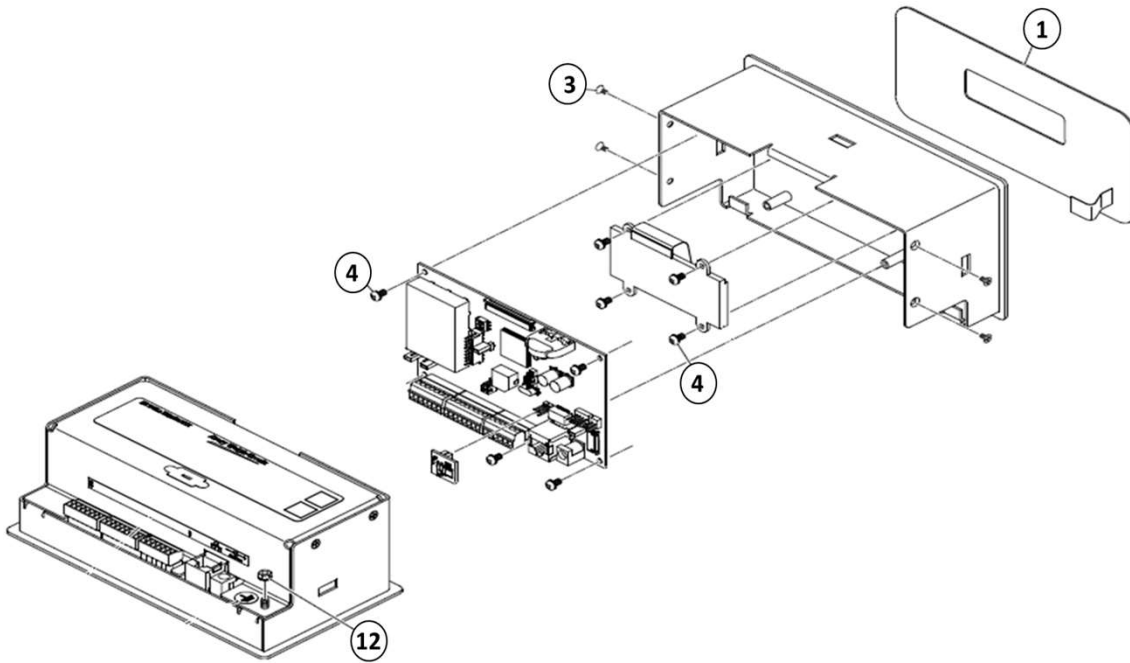


Fig. 4 - ZM205 Panel mount

P/N	Description	Fig.4 item #
AWT05-507914	HARDWARE Kit, Panel Mount (screw, loskid)	3, 4, 12/11
AWT25-501423	ZM205 SP2 - OVERLAY Keypad	1
AWT25-501424	ZM205 SR2 - OVERLAY Keypad	
AWT05-509182	In-Line PSU 24VDC 1.9A	
AWT25-501214	POWER CORD, UK 2 Conductors (In-Line PSU)	
AWT25-501215	POWER CORD, EU 2 Conductors (In-Line PSU)	
AWT25-501216	POWER CORD, AUS 2 Conductors (In-Line PSU)	
AWT25-501313	POWER CORD, SA 2 Conductors (In-Line PSU)	
AWT05-506301	CONNECTORS (Green TB) Kit	

Model ZM301 Series Digital Weight Indicators

ZM301 STAINLESS STEEL ENCLOSURE, Service Manual page 191

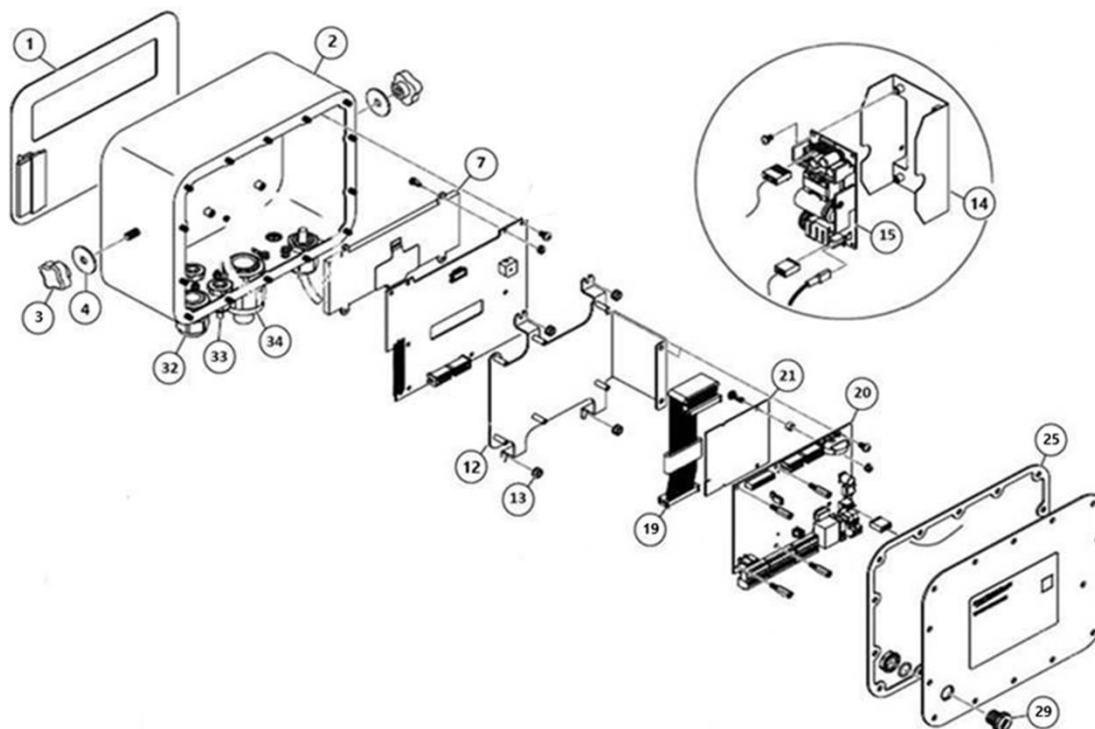


Fig. 1 - ZM301 STST Desktop

P/N	Description	Fig.1 item #
AWT05-506050	ZM301 STST - ENCLOSURE Kit	1, 2, 25
AWT25-501042	ZM301 STST - OVERLAY Keypad (only)	1
AWT05-506052	HARDWARE Kit, STST (Gorvent, nut, knob, washer, pad)	3, 4, 13, 29
AWT05-506053	STRAIN RELIEF Kit, StSt Enclosure	32, 33, 34
AWT05-508854	CARD ENGINE (only)	21
AWT05-508855	PSU 100-240VAC 65W 24V	15
AWT05-509158	PROGRAMMED MAIN BOARD Kit (new P/N includes Card Engine)	20, 21
AWT05-508874	GOROTEX Kit, Vent (membrane with nut, Q.ty 10)	29
AWT05-507911	KNOBS and PADS Kit (Q.ty 10 each)	3
AWT20-505668	GASKET Kit (Q.ty 5)	25
AWT20-505669	PCB BRACKET	12
AWT20-505670	PSU SHIELD	14
AWT25-501025	DISPLAY LCD POS IMAGE TN SEG	7
AWT25-501168	CABLE, Main PCB to Display Board	19
AWT25-501162	GROUND WIRE, PSU to Chassis Earth-Stud	
AWT25-501072	GROUND WIRE, Back plate to chassis Earth-stud	
AWT25-501217	POWER CORD Kit, ZMXXX AUS	
AWT05-506054	ACORN NUT Kit (Q.ty 100)	
AWT05-506301	CONNECTORS (Green TB) Kit	
AWT25-501063	POWER CORD, DC POWER SUPPLY, ZM Series & ZQ375	

ZM301 DIECAST ALUMINIUM ENCLOSURE, Service Manual page 193

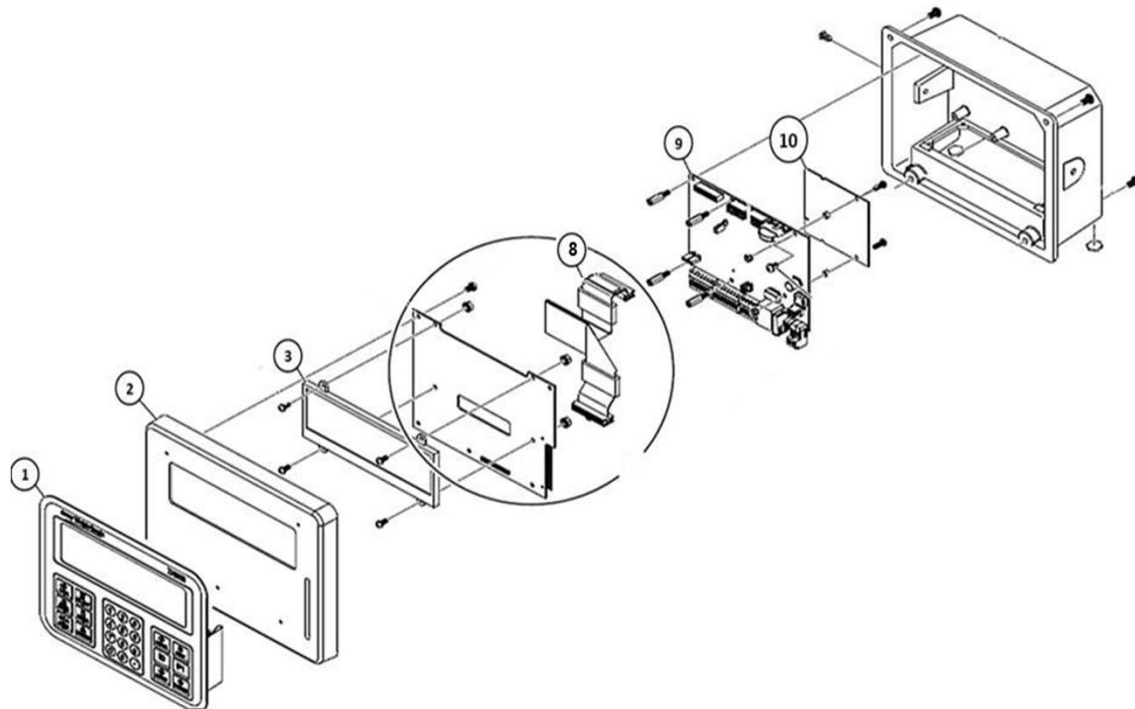


Fig. 2 - ZM301 Diecast aluminium

P/N	Description	Fig.2 item #
AWT20-505813	ZM301 AL - ENCLOSURE Kit (new P/N)	1, 2
AWT25-501042	ZM301 AL - OVERLAY Keypad, only	1
AWT05-508854	CARD ENGINE (only)	10
AWT05-509158	PROGRAMMED MAIN BOARD Kit (new P/N includes Card Engine)	9, 10
AWT20-506643	BOTTOM PLATE, Cover	20 not shown
AWT25-501025	DISPLAY LCD POS IMAGE TN SEG	3
AWT25-501168	CABLE, Main PCB to Display Board	8
AWT25-501095	DC POWER CABLE, ZM30x	19
AWT05-509182	In-Line PSU 24VDC 1.9A	
AWT25-501214	POWER CORD, UK 2 Conductors (In-Line PSU)	
AWT25-501215	POWER CORD, EU 2 Conductors (In-Line PSU)	
AWT25-501216	POWER CORD, AUS 2 Conductors (In-Line PSU)	
AWT25-501313	POWER CORD, SA 2 Conductors (In-Line PSU)	
AWT05-506301	CONNECTORS (Green TB) Kit	

ZM301 PANEL MOUNT, Service Manual page 195

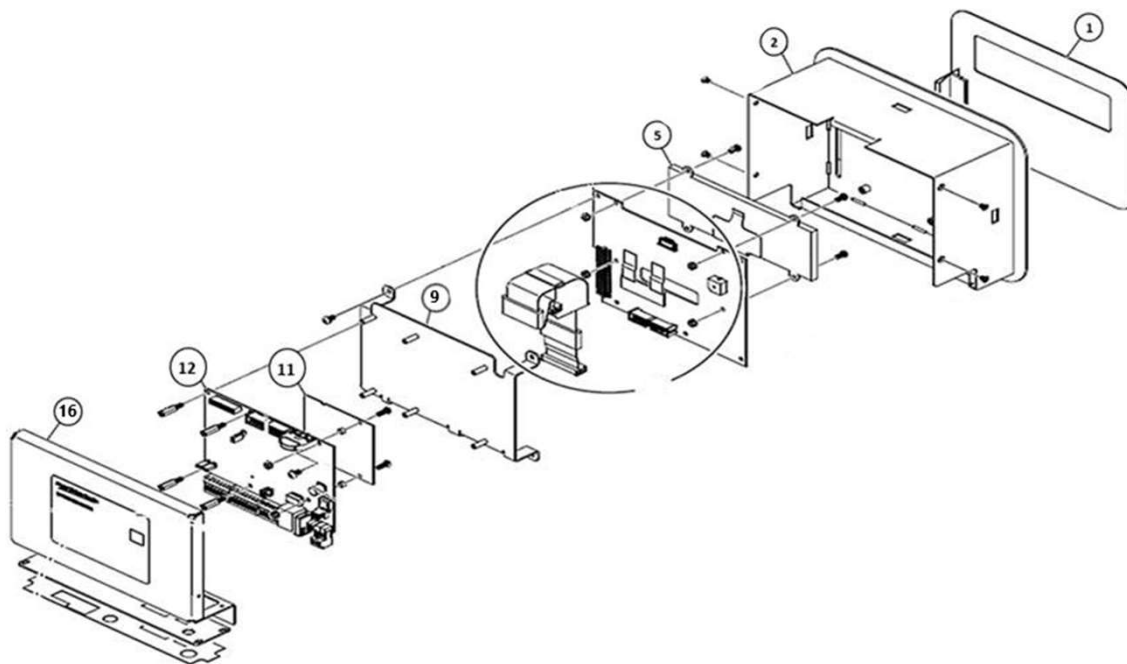


Fig. 3 - ZM301 Panel mount

P/N	Description	Fig.3 item #
AWT05-506047	ZM301 PM - ENCLOSURE Kit	1, 2
AWT25-501042	ZM301 PM - OVERLAY Keypad, only	1
AWT05-508854	CARD ENGINE (only)	11
AWT05-509158	PROGRAMMED MAIN BOARD Kit (new P/N includes Card Engine)	11, 12
AWT20-506125	COVER, Rear	16
AWT20-506423	PCB BRACKET	9
AWT20-506743	BOTTOM PLATE, PCB Cover	19 not shown
AWT25-501025	DISPLAY LCD POS IMAGE TN SEG	5
AWT25-501095	DC POWER CABLE, ZM30x	
AWT25-501168	CABLE, Main PCB to Display Board	
AWT05-509182	In-Line PSU 24VDC 1.9A	
AWT25-501214	POWER CORD, UK 2 Conductors (In-Line PSU)	
AWT25-501215	POWER CORD, EU 2 Conductors (In-Line PSU)	
AWT25-501216	POWER CORD, AUS 2 Conductors (In-Line PSU)	
AWT25-501313	POWER CORD, SA 2 Conductors (In-Line PSU)	

Common Parts

AWT05-506055	UNIVERSAL HARDWARE Kit (screw, spacer, standoff)
AWT05-506301	CONNECTORS (Green TB) Kit

Model ZM303 Series Digital Weight Indicators

ZM303 STAINLESS STEEL ENCLOSURE, Service Manual page 190

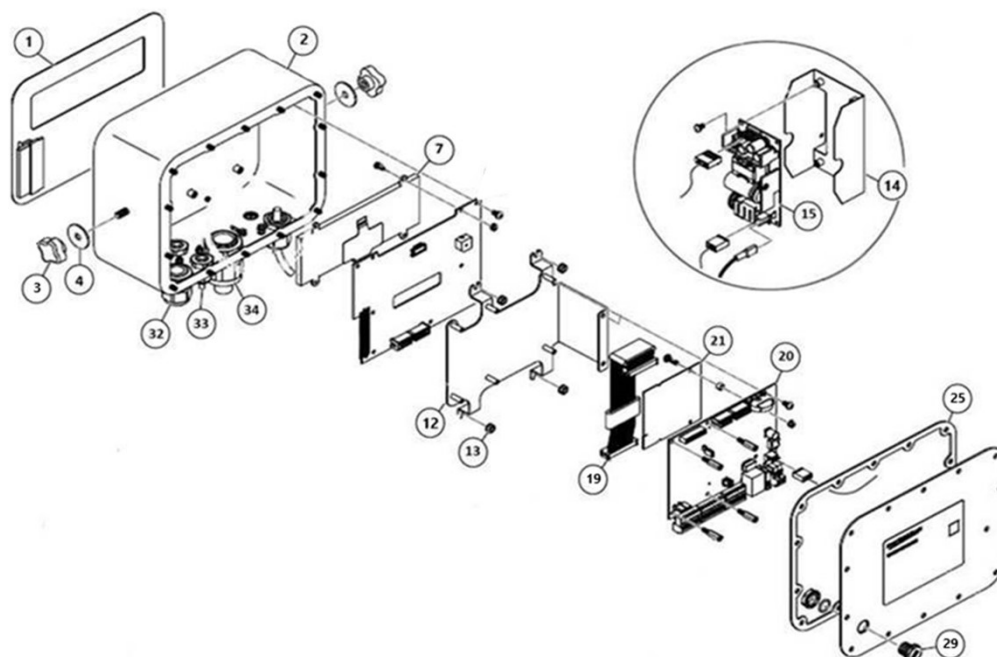


Fig. 1 - ZM303 STST Desktop

P/N	Description	Fig.1 item #
AWT05-506051	ZM303 STST - ENCLOSURE Kit	1, 2, 25
AWT05-506052	HARDWARE Kit, Zserie STST (Gorvent, nut, knob, washer, pad)	3, 4, 13, 29
AWT05-506053	STRAIN RELIEF Kit, StSt Enclosure	32, 33, 34
AWT05-507911	KNOBS and PADS Kit (Q.ty 10 each)	3
AWT05-508854	CARD ENGINE (only)	21
AWT05-508874	GOROTEX Kit, Vent (membrane with nut, Q.ty 10)	29
AWT05-509158	PROGRAMMED MAIN BOARD Kit (new P/N includes Card Engine)	20, 21
AWT05-508855	PSU 100-240VAC 65W 24V	15
AWT20-505668	GASKET Kit (Q.ty 5)	25
AWT20-505669	PCB BRACKET	12
AWT20-505670	PSU SHIELD	14
AWT25-501025	DISPLAY LCD POS IMAGE TN SEG	7
AWT25-501168	CABLE, Main PCB to Display Board	19
AWT25-501072	GROUND WIRE, Back plate to chassis Earth-stud	
AWT25-501162	GROUND WIRE, PSU to Chassis Earth-Stud	
AWT25-501217	POWER CORD Kit, ZMXXX AUS	
AWT05-506054	ACORN NUT Kit (Q.ty 100)	
AWT05-506301	CONNECTORS (Green TB) Kit	
AWT25-501063	POWER CORD, DC POWER SUPPLY, ZM Series & ZQ375	

ZM303 DIECAST ALUMINIUM ENCLOSURE, Service Manual page 192

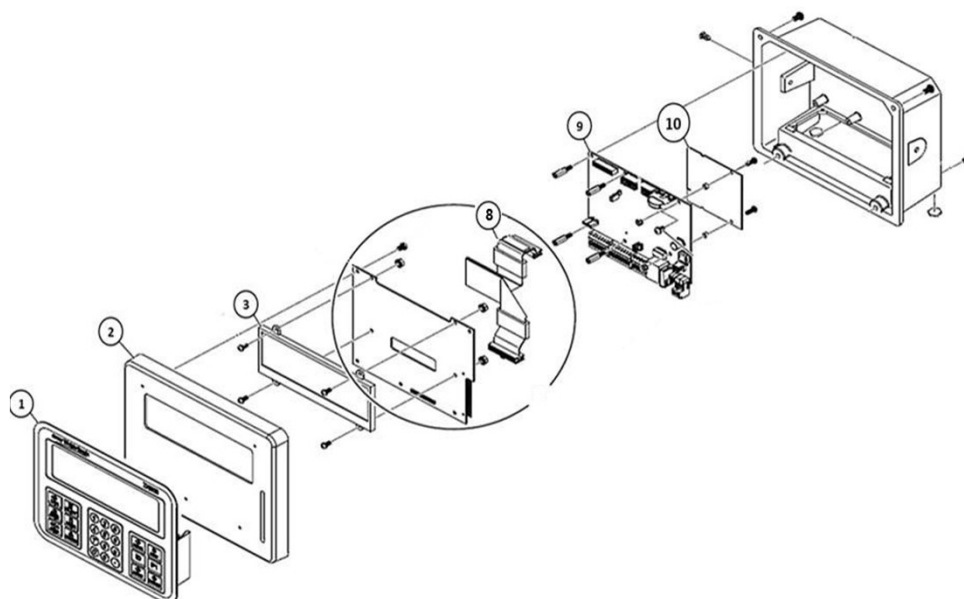


Fig. 2 - ZM303 Diecast aluminium

P/N	Description	Fig.2 item #
AWT20-505813	ZM303 AL - ENCLOSURE Kit (new P/N)	1, 2
AWT05-508854	CARD ENGINE (only)	10
AWT05-509158	PROGRAMMED MAIN BOARD Kit (new P/N includes Card Engine)	9, 10
AWT20-506643	BOTTOM PLATE, Cover	20
AWT25-501025	DISPLAY LCD POS IMAGE TN SEG	3
AWT25-501168	CABLE, Main PCB to Display Board	8
AWT25-501095	DC POWER CABLE, ZM30x	19
AWT05-509182	In-Line PSU 24VDC 1.9A	
AWT25-501214	POWER CORD, UK 2 Conductors (In-Line PSU)	
AWT25-501215	POWER CORD, EU 2 Conductors (In-Line PSU)	
AWT25-501216	POWER CORD, AUS 2 Conductors (In-Line PSU)	
AWT25-501313	POWER CORD, SA 2 Conductors (In-Line PSU)	
AWT05-506301	CONNECTORS (Green TB) Kit	

ZM303 PANEL MOUNT, Service Manual page 194

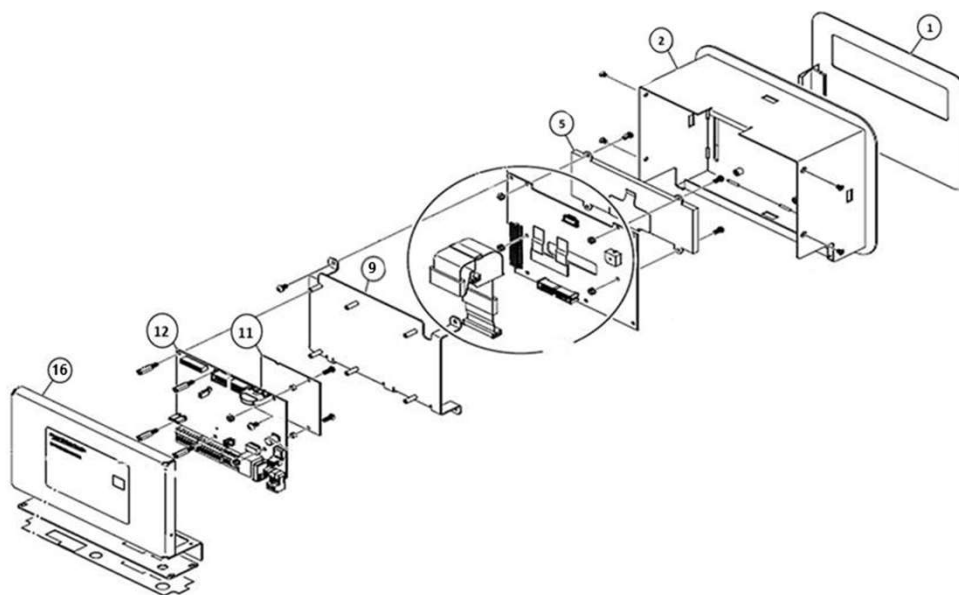


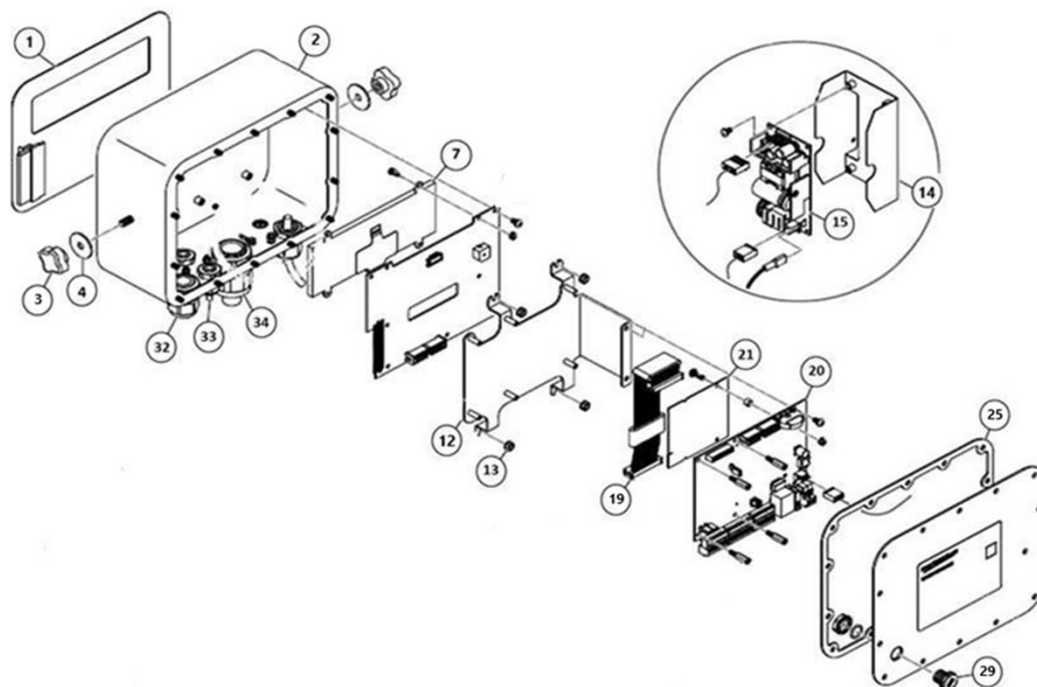
Fig. 3 - ZM303 Panel mount

P/N	Description	Fig.3 item #
AWT05-506048	ZM303 PM - ENCLOSURE Kit	1, 2
AWT05-508854	CARD ENGINE (only)	11
AWT05-509158	PROGRAMMED MAIN BOARD Kit (new P/N includes Card Engine)	11, 12
AWT20-506423	PCB BRACKET	9
AWT20-506743	BOTTOM PLATE, PCB Cover	19 not shown
AWT20-506125	COVER, Rear	16
AWT25-501025	DISPLAY LCD POS IMAGE TN SEG	5
AWT25-501168	CABLE, Main PCB to Display Board	
AWT25-501095	DC POWER CABLE, ZM30x	
AWT05-509182	In-Line PSU 24VDC 1.9A	
AWT25-501214	POWER CORD, UK 2 Conductors (In-Line PSU)	
AWT25-501215	POWER CORD, EU 2 Conductors (In-Line PSU)	
AWT25-501216	POWER CORD, AUS 2 Conductors (In-Line PSU)	
AWT25-501313	POWER CORD, SA 2 Conductors (In-Line PSU)	

Common Parts

AWT05-506055	UNIVERSAL HARDWARE Kit (screw, spacer, standoff)
AWT05-506301	CONNECTORS (Green TB) Kit

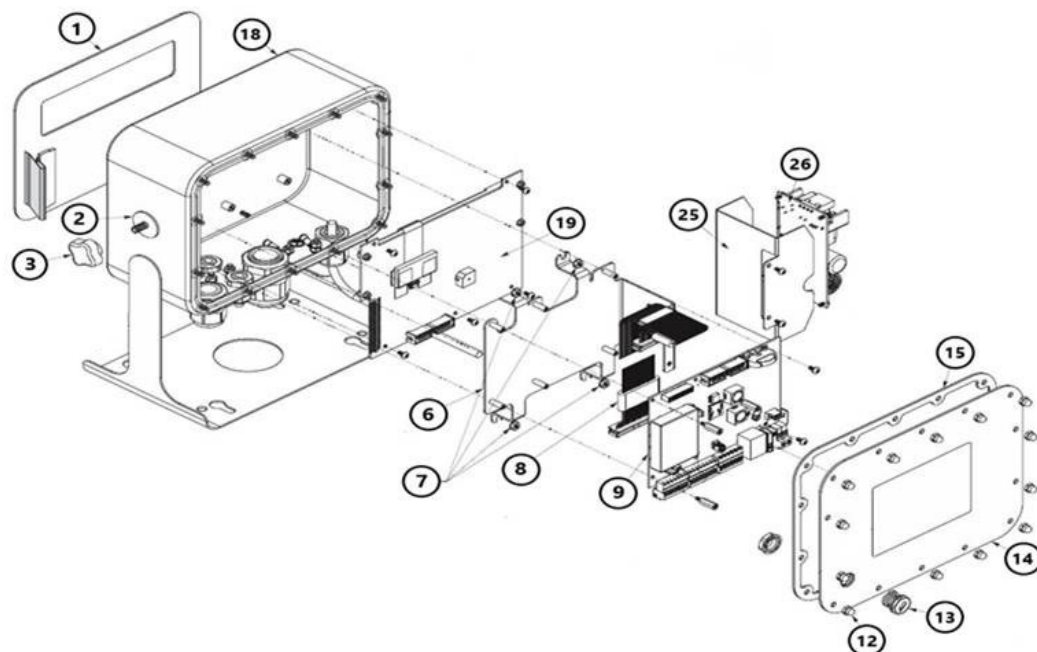
Model ZM305 GTN and STD (standard)



ZM305, Service Manual page 229

P/N	Description	item #
AWT05-800087	ZM305 STD - ENCLOSURE Kit	1, 2, 25
AWT05-800088	ZM305 GTN - ENCLOSURE Kit	
AWT05-800083	ZM305 STD - OVERLAY Keypad, only	1
AWT05-800084	ZM305 GTN - OVERLAY Keypad, only	
AWT05-506052	HARDWARE Kit, Zserie STST (Gorvent, nut, knob, washer, pad)	3, 4, 13, 29
AWT05-506053	STRAIN RELIEF Kit, StSt Enclosure	32, 33, 34
AWT05-507911	KNOBS and PADS Kit (Q.ty 10 each)	3
AWT05-508854	CARD ENGINE (only)	21
AWT05-508855	PSU 100-240VAC 65W 24V	15
AWT05-508874	GOROTEX Kit, Vent (membrane with nut, Q.ty 10)	29
AWT05-509159	PROGRAMMED MAIN BOARD Kit (new P/N includes Card Engine)	20, 21
AWT05-800086	BACK PLATE Kit	26
AWT20-505668	GASKET Kit (Q.ty 5)	25
AWT20-505669	PCB BRACKET	12
AWT20-505670	PSU SHIELD	14
AWT25-501168	CABLE, Main PCB to Display Board	19
AWT25-501217	POWER CORD Kit, ZMXXX AUS	
AWT05-506055	UNIVERSAL HARDWARE Kit (screw, spacer, standoff)	
AWT05-506301	CONNECTORS (Green TB) Kit	
AWT05-506054	ACORN NUT Kit (Q.ty 100)	
AWT25-501072	GROUND WIRE, Back plate to chassis Earth-stud	
AWT25-501162	GROUND WIRE, PSU to Chassis Earth-Stud	
AWT25-501063	POWER CORD, DC POWER SUPPLY, ZM Series & ZQ375	

Model ZM400 Series Digital Weight Indicators



ZM401/5 STAINLESS STEEL ENCLOSURE, Service Manual page 139

P/N	Description	item #
AWT05-508302	ZM401 STST - ENCLOSURE Kit	1, 18
AWT05-508528	ZM401 - OVERLAY Keypad, only	1
AWT05-508303	ZM405 STST - ENCLOSURE Kit	1, 18
AWT05-508529	ZM405 - OVERLAY Keypad, only	1
AWT05-506052	HARDWARE Kit, Zserie STST (Gorvent, nut, knob, washer, pad)	2, 3, 7, 13
AWT05-507911	KNOBS and PADS Kit (Q.ty 10 each)	2, 3
AWT05-508533	PCB BRACKET	6
AWT05-508535	PCB Display Interface	19 (20)
AWT05-800086	BACK PLATE Kit	14
AWT05-508874	GOROTEX Kit, Vent (membrane with nut, Q.ty 10)	13
AWT05-509160	PROGRAMMED MAIN BOARD Kit (new P/N includes Card Engine)	9 *
AWT05-506054	ACORN NUT Kit (Q.ty 100)	12
AWT20-505668	GASKET Kit (Q.ty 5)	15
AWT20-505670	PSU SHIELD (Bracket)	25
AWT05-508855	PSU 100-240VAC 65W 24V	26
AWT25-501168	CABLE, Main to Display Board	8
AWT05-508854	CARD ENGINE (only)	not shown *
AWT25-501072	GROUND WIRE, Back plate to chassis Earth-stud	
AWT25-501162	GROUND WIRE, PSU to Chassis Earth-Stud	
AWT25-501217	POWER CORD Kit, ZMXXX AUS	
AWT05-506053	STRAIN RELIEF Kit, StSt Enclosure	
AWT05-506055	UNIVERSAL HARDWARE Kit (screw, spacer, standoff)	
AWT05-506301	CONNECTORS (Green TB) Kit	
AWT25-501063	POWER CORD, DC POWER SUPPLY, ZM Series & ZQ375	

Model ZM510 Series Digital Weight Indicators

ZM510, STAINLESS STEEL ENCLOSURE Service Manual page 113

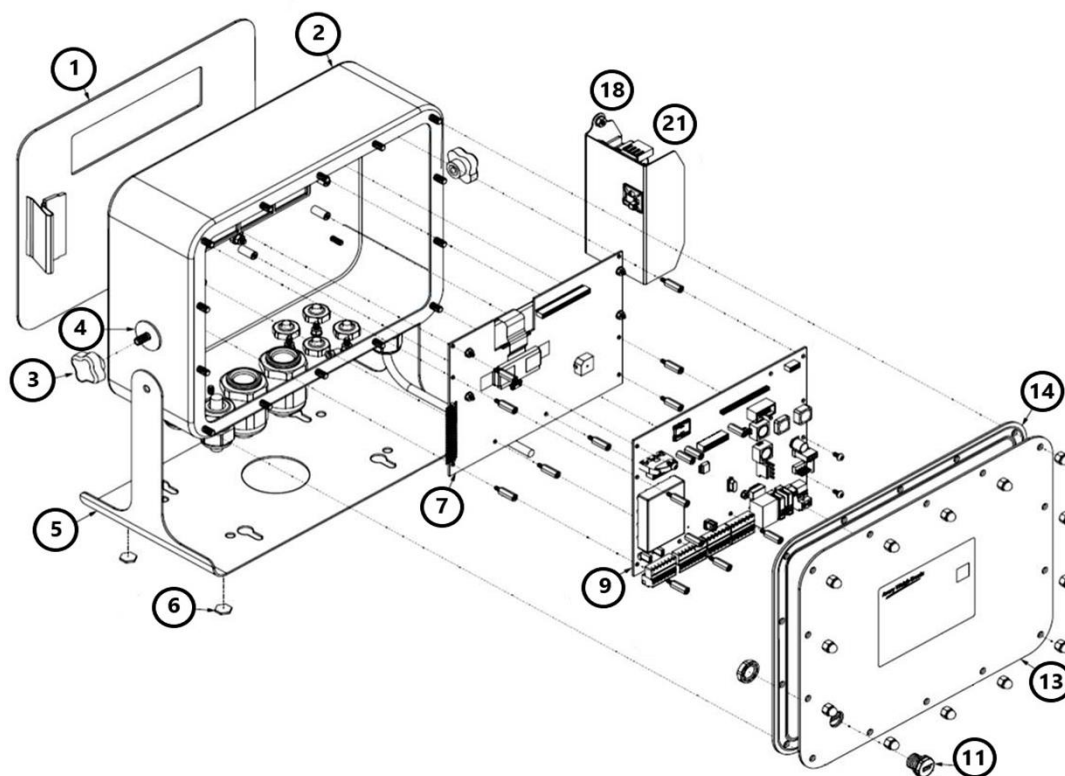


Fig. 1 - ZM510 STST Desktop

P/N	Description	item #
AWT05-508850	ZM510 STST - OVERLAY Keypad, only	1
AWT05-508851	ZM510 STST - ENCLOSURE Housing, only	2
AWT05-508853	ZM510 STST - ENCLOSURE Kit	1, 2
AWT05-507911	KNOBS and PADS Kit (Q.ty 10 each)	3, 4
AWT05-508855	PSU 100-240VAC 65W 24V	18
AWT05-508859	DISPLAY LCD Kit, 320x80 ISTN	behind 7
AWT05-508860	PCB Display Interface	7
AWT05-508861	BACK PLATE Kit	13
AWT05-508862	PSU BRACKET (shield)	21
AWT05-508863	GASKET Kit	14
AWT05-508865	STAND, Enclosure	5, 6
AWT05-508874	GOROTEX Kit, Vent (membrane with nut, Q.ty 10)	11
AWT05-509161	PROGRAMMED MAIN BOARD Kit (new P/N includes Card Engine)	9
AWT05-508854	CARD ENGINE (only)	not shown
AWT05-508867	UNIVERSAL HARDWARE Kit (screw, spacer, standoff)	
AWT25-501072	GROUND WIRE, Back plate to chassis Earth-stud	
AWT25-501162	GROUND WIRE, PSU to Chassis Earth-Stud	
AWT25-501217	POWER CORD Kit, ZMXXX AUS	
AWT25-501063	POWER CORD, DC POWER SUPPLY, ZM Series & ZQ375	
AWT05-506301	CONNECTORS (Green TB) Kit	

ZM510, PANEL MOUNT

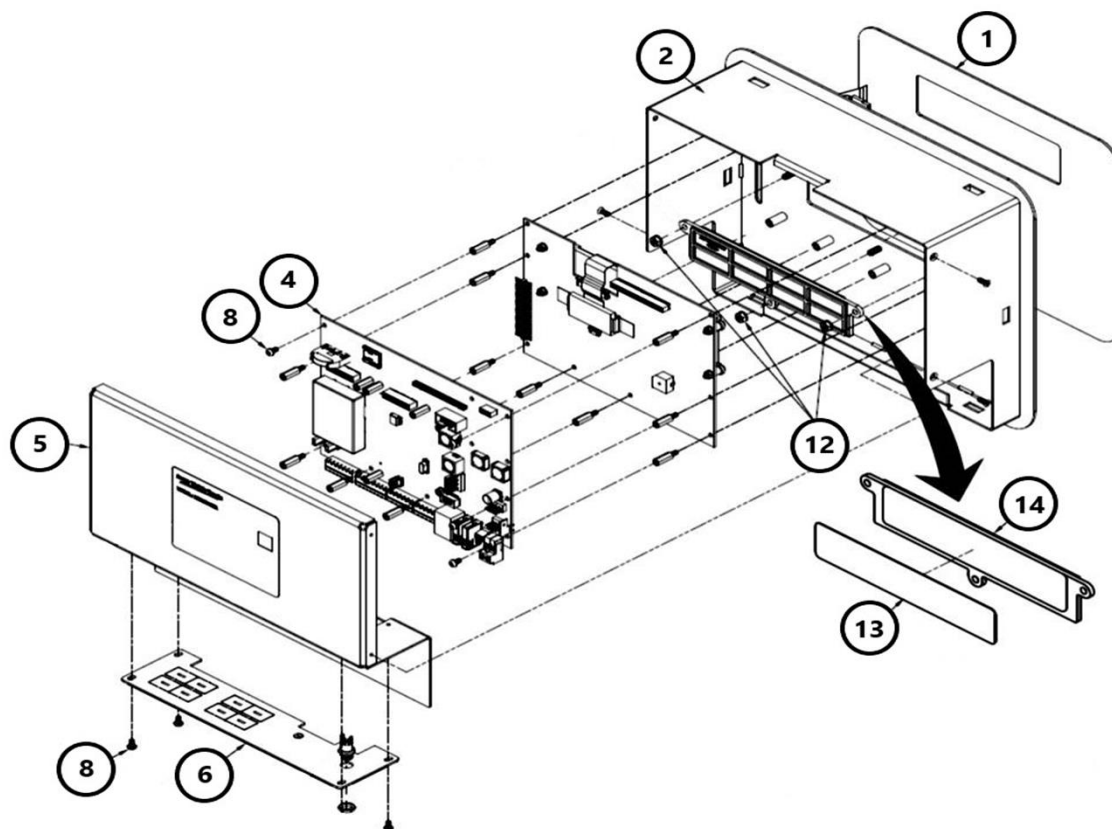


Fig. 2 - ZM510 Panel mount

P/N	Description	item #
AWT05-508850	ZM510 PM - OVERLAY Keypad, only	1
AWT05-508864	FILLER DISPLAY Kit, Plate adaptor	14
AWT05-508950	ZM510 PM - ENCLOSURE Kit	1, 2, 12, 13, 14
AWT05-508959	ZM510 PM - COVER, Rear	5, 6, 8
AWT05-509161	PROGRAMMED MAIN BOARD Kit (new P/N includes Card Engine)	4 *
AWT05-508854	CARD ENGINE (only)	not shown *
AWT25-501095	DC POWER CABLE, ZM30x	7
AWT05-508859	LCD Display KIT, 320x80 ISTN	
AWT05-508860	PCB Display Interface	
AWT05-509169	BRACKETS/BLOCKS Kit	
AWT05-509182	In-Line PSU 24VDC 1.9A	
AWT25-501214	POWER CORD, UK 2 Conductors (In-Line PSU)	
AWT25-501215	POWER CORD, EU 2 Conductors (In-Line PSU)	
AWT25-501216	POWER CORD, AUS 2 Conductors (In-Line PSU)	
AWT25-501313	POWER CORD, SA 2 Conductors (In-Line PSU)	
AWT05-506301	CONNECTORS (Green TB) Kit	

Model ZM615 Series Digital Weight Indicators

ZM615, STAINLESS STEEL ENCLOSURE Service Manual page115

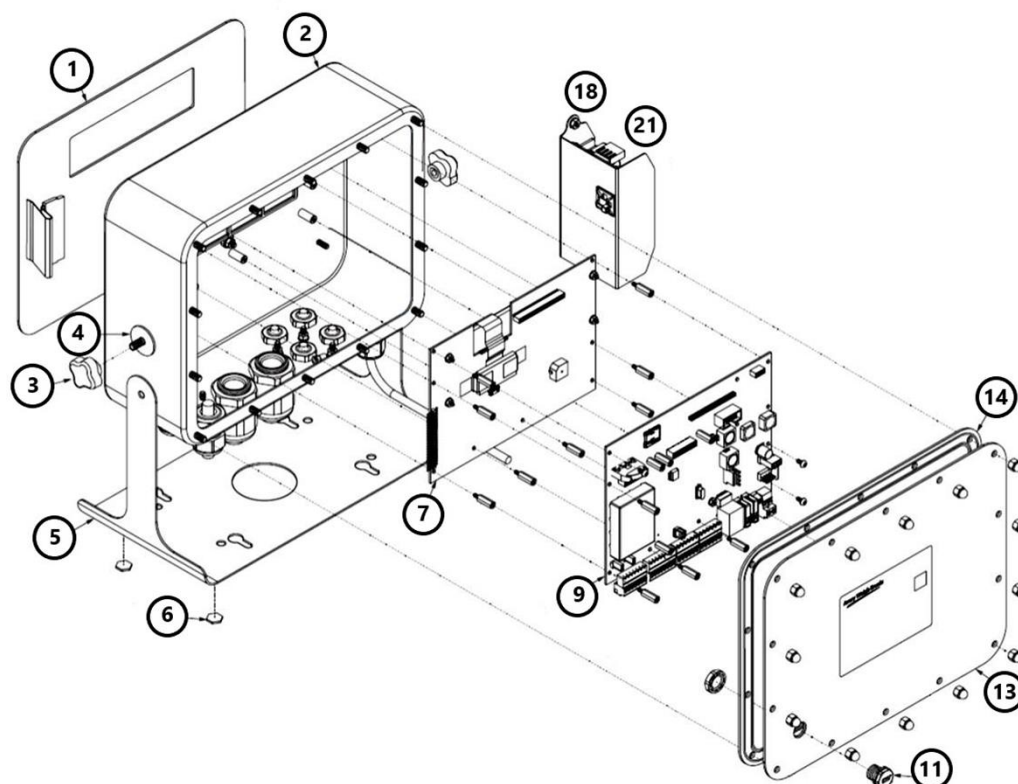


Fig. 1 - ZM615 Desktop

P/N	Description	item #
AWT05-508948	ZM615 STST - OVERLAY Keypad, only	1
AWT05-508851	ZM615 STST - ENCLOSURE Housing, only	2
AWT05-508954	ZM615 STST - ENCLOSURE Kit	1, 2
AWT05-507911	KNOBS and PADS Kit (Q.ty 10 each)	3, 4
AWT05-508855	PSU 100-240VAC 65W 24V	18
AWT05-508861	BACK PLATE Kit	13
AWT05-508862	PSU BRACKET (shield)	21
AWT05-508863	GASKET Kit	14
AWT05-508865	STAND, Enclosure	5, 6
AWT05-508874	GOROTEX Kit, Vent (membrane with nut, Q.ty 10)	11
AWT05-508956	DISPLAY LCD Kit, 320x160 ISTN	behind 7
AWT05-508957	PCB Display Interface	7
AWT05-509161	PROGRAMMED MAIN BOARD Kit (new P/N includes Card Engine)	9 *
AWT05-508854	CARD ENGINE (only)	not shown *
AWT05-508867	UNIVERSAL HARDWARE Kit (screw, spacer, standoff)	
AWT25-501072	GROUND WIRE, Back plate to chassis Earth-stud	
AWT25-501162	GROUND WIRE, PSU to Chassis Earth-Stud	
AWT25-501217	POWER CORD Kit, ZMXXX AUS	
AWT25-501063	POWER CORD, DC POWER SUPPLY, ZM Series & ZQ375	
AWT05-506301	CONNECTORS (Green TB) Kit	

ZM615, PANEL MOUNT Service Manual page 117

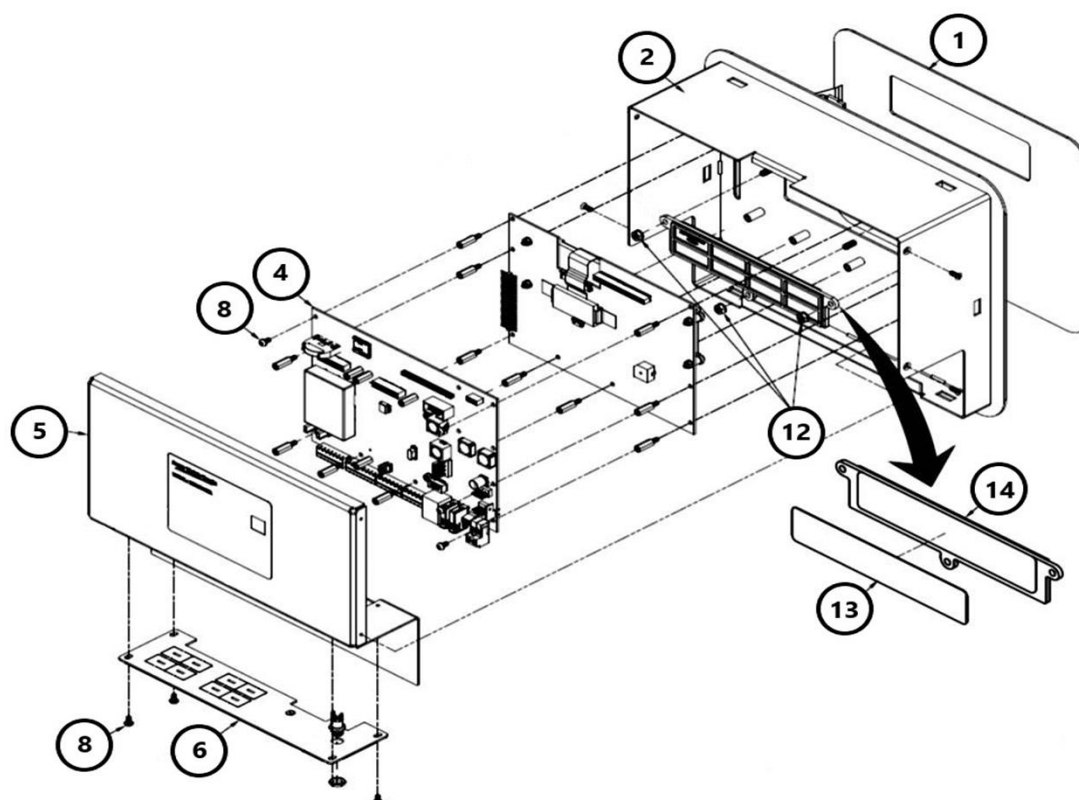


Fig. 2 - ZM615 Panel mount

P/N	Description	item #
AWT05-508948	ZM615 PM - OVERLAY Keypad, only	1
AWT05-508952	ZM615 PM - ENCLOSURE Kit	1, 2, 12, 13, 14
AWT05-508959	ZM615 PM - COVER, Rear	5, 6, 8
AWT05-508864	FILLER DISPLAY Kit, Plate adaptor	14
AWT05-508957	DISPLAY PCB Interface	3
AWT05-509161	PROGRAMMED MAIN BOARD Kit (new P/N includes Card Engine)	4
AWT05-508854	CARD ENGINE (only)	not shown
AWT25-501095	DC POWER CABLE, ZM30x	7
AWT05-508956	LCD Display KIT, 320x160 ISTN	
AWT05-509169	BRACKETS/BLOCKS Kit	
AWT05-509182	In-Line PSU 24VDC 1.9A	
AWT25-501214	POWER CORD, UK 2 Conductors (In-Line PSU)	
AWT25-501215	POWER CORD, EU 2 Conductors (In-Line PSU)	
AWT25-501216	POWER CORD, AUS 2 Conductors (In-Line PSU)	
AWT25-501313	POWER CORD, SA 2 Conductors (In-Line PSU)	
AWT05-506301	CONNECTORS (Green TB) Kit	

ZQ375 Checkweigher, Service Manual 209

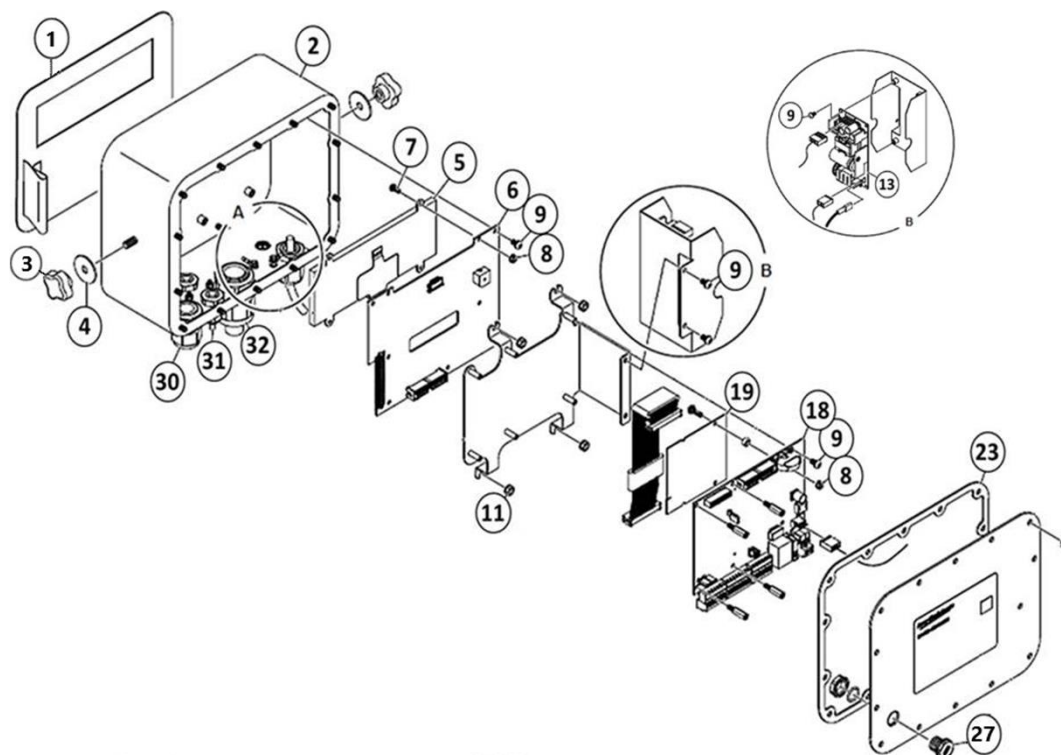


Fig. 1 - ZQ375

P/N	Description	Fig.1 item #
AWT20-800263	ZQ375 STST - ENCLOSURE Kit	1, 2, 23
AWT25-800084	ZQ375 STST - OVERLAY Keypad, only	1
AWT05-506052	HARDWARE Kit, Zserie STST (Gorotex Vent, nut, knob, washer, pad)	3, 4, 11, 27
AWT05-506053	STRAIN RELIEF Kit, StSt Enclosure	30, 31, 32
AWT05-507911	KNOBS and PADS Kit	3
AWT05-508854	CARD ENGINE (only)	19
AWT05-508855	PSU 100-240VAC 65W 24V	13
AWT05-508874	GOROTEX Kit, Vent (membrane with nut, Q.ty 10)	27
AWT05-509158	PROGRAMMED MAIN BOARD Kit (new P/N includes Card Engine)	18, 19
AWT20-505668	GASKET Kit (Q.ty 5)	23
AWT20-505669	PCB BRACKET	10
AWT20-505670	PSU SHIELD (Bracket)	12
AWT20-800264	REPLACEMENT DISPLAY Kit	5, 6, 7, 8, 9
AWT25-501168	CABLE, Main PCB to Display Board	17
AWT25-501162	GROUND WIRE, PSU to Chassis Earth-Stud	16
AWT25-501217	POWER CORD Kit, ZMXXX AUS	
AWT05-506054	ACORN NUT Kit (100 off per kit)	
AWT05-506055	UNIVERSAL HARDWARE Kit (screw, spacer, standoff)	
AWT05-506301	CONNECTORS (Green TB) Kit	
AWT25-501063	POWER CORD, DC POWER SUPPLY, ZM Series & ZQ375	

ZQ-BAT Service Manual page 211		item #
AWT25-800112	ZQ-BAT Replacement Battery	11

ZQ375 - BS Torsion Base, Service Manual page 212

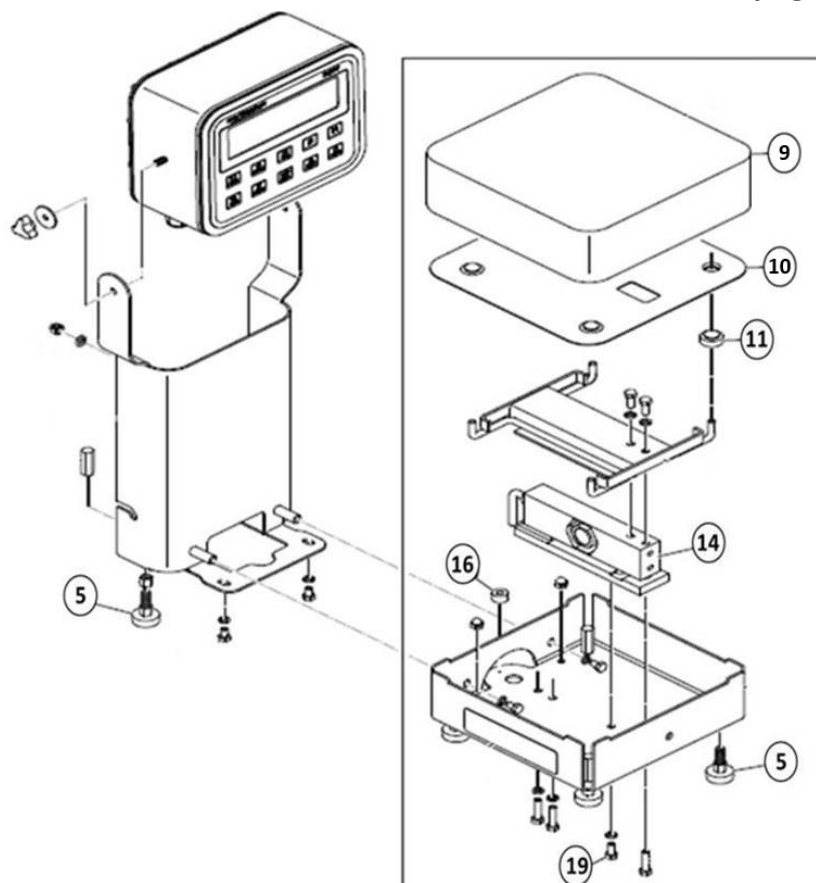


Fig. 2 - ZQ375 - BS Base

P/N	Description	Fig.2 item #
AWT05-800075	FEET Kit Q.ty 6	5
AWT20-508220	KIT BUMPERS TORSION 9x9" (each) - rubber, conductive	11
AWT05-800096	KIT BUMPERS TORSION 9x9" (pack of 24)	
AWT20-508321	KIT BUMPERS TORSION 12x14" (each) - rubber, conductive	
AWT05-800097	KIT BUMPERS TORSION 12x14" (pack of 24)	

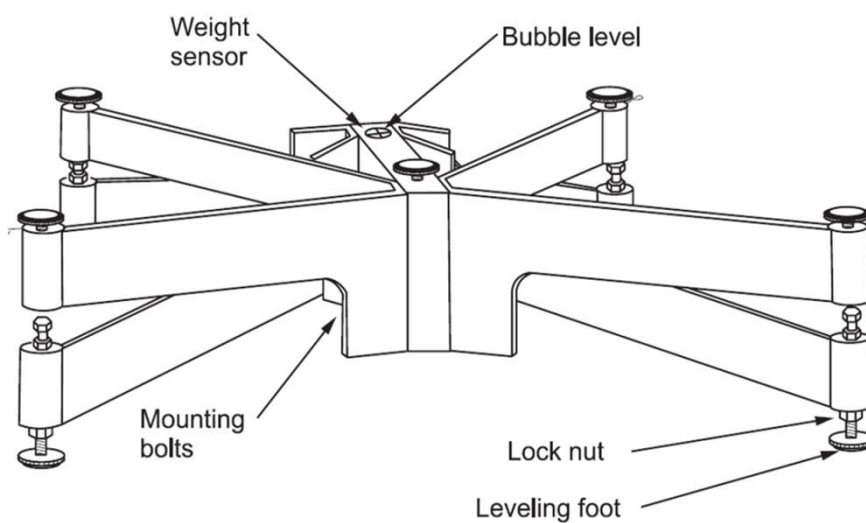
ZQ375 - BSG Torsion Base, Service Manual page 213

P/N	Description	Fig.2 item #
AWT20-800257	BSG 10kg LCell Replacement Kit (9x9" - 3Kg and 6Kg base)	14, 19
AWT20-800258	BSG 20kg LCell Replacement Kit (12x14" - 15Kg base)	
AWT20-800259	BSG 50kg LCell Replacement Kit (12x14" - 30Kg and 50Kg base)	
AWT20-800261	BSG HARDWARE Kit	

ZQ375 - BSF Torsion Base, Service Manual page 213

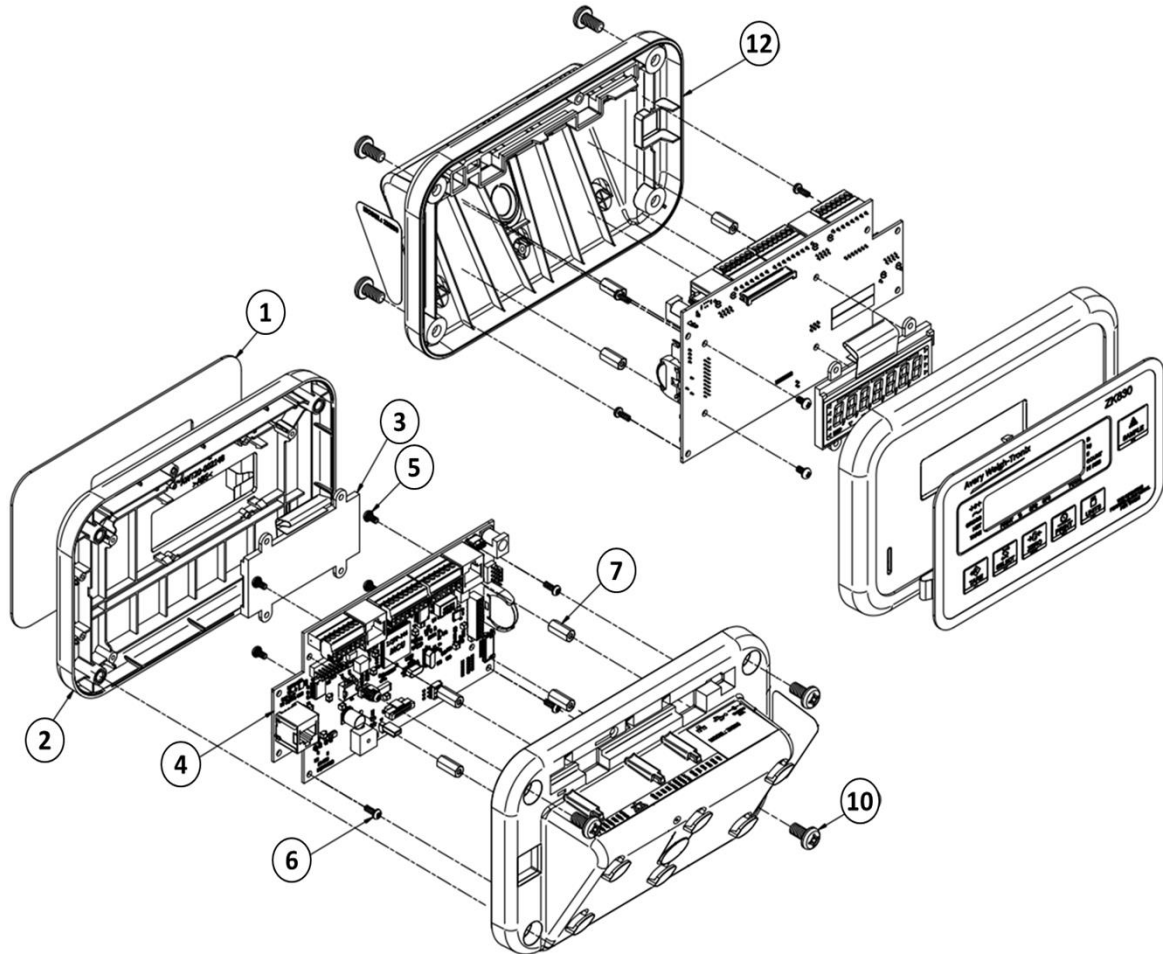
P/N	Description	Fig.2 item #
AWT20-800253	BSF 10kg LCell Replacement Kit (9x9" - 2.5Kg base)	14, 19
AWT20-800254	BSF 20kg LCell Replacement Kit (9x9" - 2.5Kg and 12x14" - 12.5Kg base)	
AWT20-800255	BSF 50kg LCell Replacement Kit (12x14" - 25Kg base)	
AWT20-800260	BSF HARDWARE Kit	

ZQ375 - Diamond Base, Service Manual page 214/215



P/N	Description	item #
AWT15-501383	DB HARDWARE Kit (All Capacities Except 500lb)	
AWT15-501385	SPIDER WELDMENT Set, BS2424-A 500lb	
AWT15-501402	SPIRIT-LEVEL BUBBLE REPLACEMENT Kit	
AWT15-501526	DB HARDWARE Kit (500 lb. Capacity Only)	
AWT20-800262	FEET BLACK - Kit Q.ty 6 (alternative p/n 6 AWT20-509061 1 foot)	
49098-0067	DB - WBar Assy, FLS 70lb W/Tin Leads *	
49098-0075	DB - WBar Assy, FLS 125lb W/Tin Leads *	
49098-0083	DB - WBar Assy, FLS 250lb W/Tin Leads *	
49098-0109	DB - WBar Assy, FLS 625lb W/Tin Leads *	

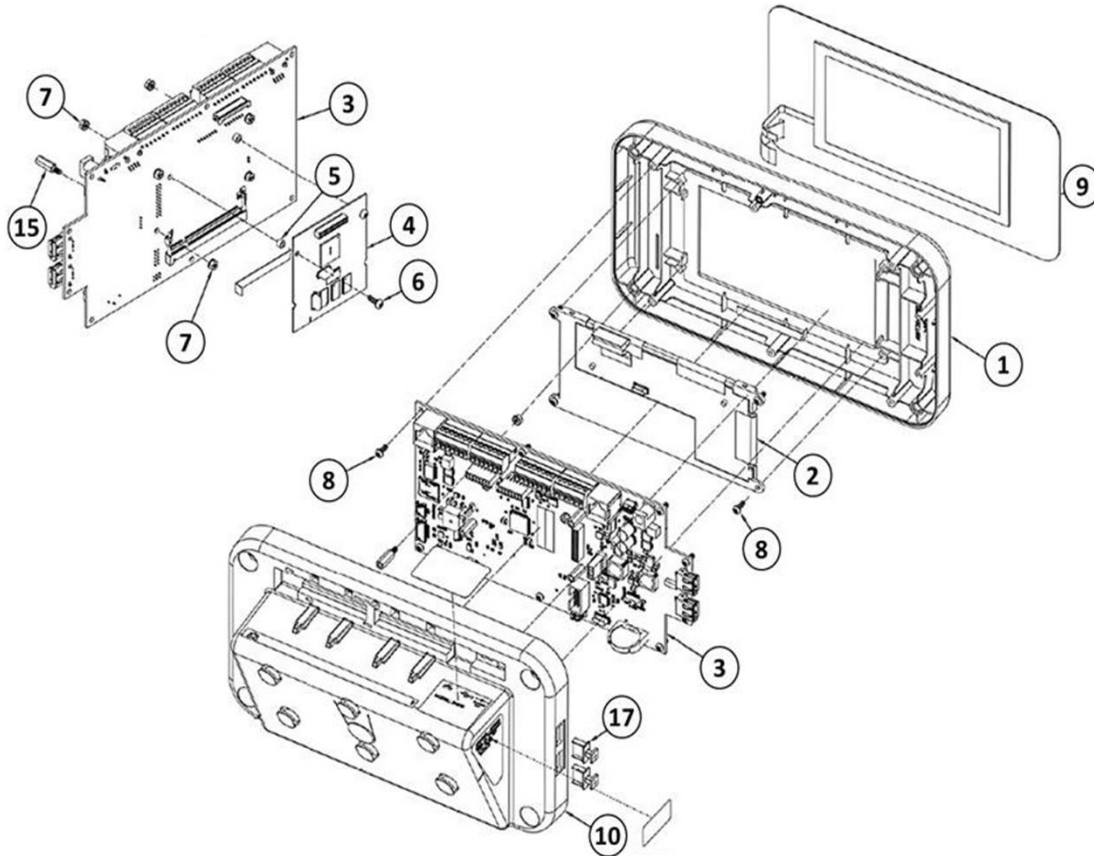
ZK830 Indicator - Counting Scale



ZK830, Service Manual page 109

P/N	Description	item #
AWT05-508961	ENCLOSURE Kit (front, rear, screw)	2, 10, 12
AWT05-508962	OVERLAY Kit	1
AWT05-508963	DISPLAY Kit - LCD neg image IBN 0.5"	3
AWT05-508965	HARDWARE Kit (screw, standoff)	5, 6, 7, 10
AWT05-509162	MAIN BOARD Kit	4
AWT05-509182	In-Line PSU 24VDC 1.9A	
AWT25-501214	POWER CORD, UK 2 Conductors (In-Line PSU)	
AWT25-501215	POWER CORD, EU 2 Conductors (In-Line PSU)	
AWT25-501216	POWER CORD, AUS 2 Conductors (In-Line PSU)	
AWT25-501313	POWER CORD, SA 2 Conductors (In-Line PSU)	
AWT05-506301	CONNECTORS (Green TB) Kit	

ZK840 Indicator - Counting Scale

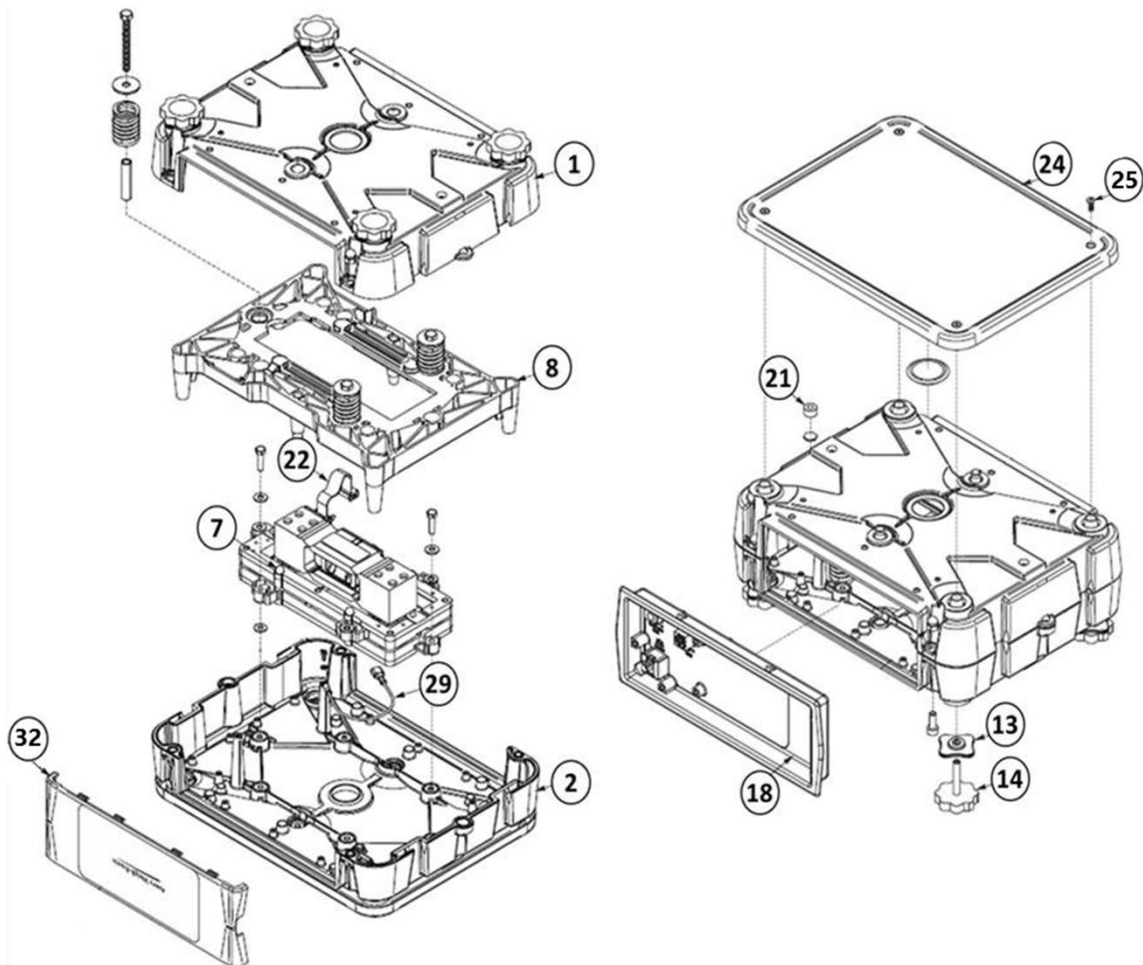


ZK840, Service Manual page 93

P/N	Description	Fig.1 item #
AWT05-508966	ENCLOSURE Kit (front, rear, screw)	1, 10, 11
AWT05-508854	CARD ENGINE (only)	4, 5, 6, 7
AWT05-509163	PROGRAMMED MAIN BOARD Kit (includes Card Engine)	3-7, 4
AWT05-508969	DISPLAY Kit, ISTN	2
AWT05-508970	TOUCH PANEL KEYPAD Kit	9
AWT05-508971	HARDWARE Kit (screw, spacer, standoff, nut, bung)	5, 6, 7, 8, 11, 15, 17
AWT05-509182	In-Line PSU 24VDC 1.9A	
AWT25-501214	POWER CORD, UK 2 Conductors (In-Line PSU)	
AWT25-501215	POWER CORD, EU 2 Conductors (In-Line PSU)	
AWT25-501216	POWER CORD, AUS 2 Conductors (In-Line PSU)	
AWT25-501313	POWER CORD, SA 2 Conductors (In-Line PSU)	
AWT05-506301	CONNECTORS (Green TB) Kit	

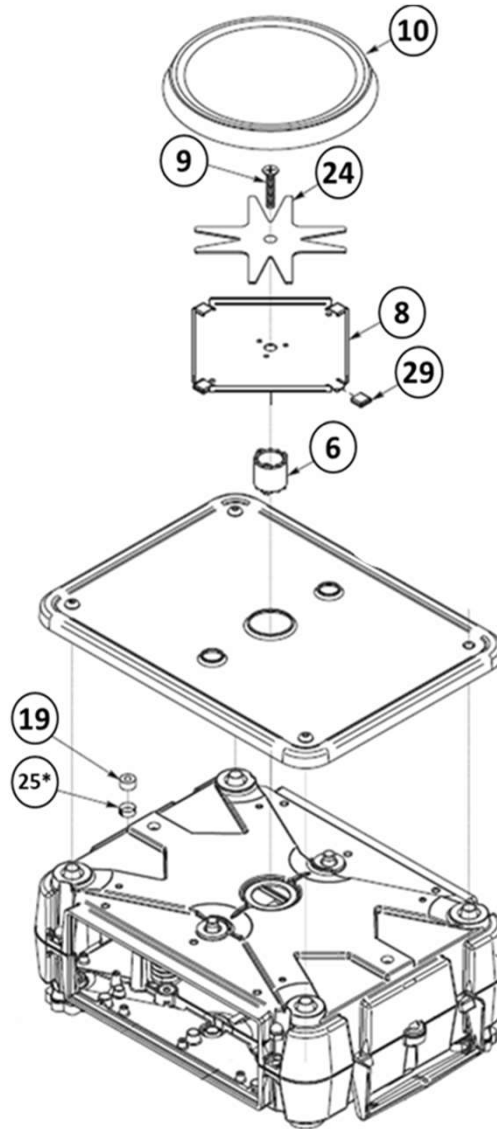
BSQ Digital Bench Scales

BSQ Base Parts, refer to ZK840 Service Manual page 94



P/N	Description	item #
AWT05-508554	BSQ USB Connection Subassembly Kit	18
AWT05-508556	LOADBRIDGE Kit 9x12"	7, 8
AWT05-508558	LOADBRIDGE Kit 12x14" (35 - 80kg bases)	
AWT05-508564	BOTTOM SHELL Kit 9x12"	1
AWT05-508566	BOTTOM SHELL Kit 12x14" (35 - 80kg bases)	
AWT05-508565	TOP SHELL Kit 9X12"	2
AWT05-508567	TOP SHELL Kit 12x14" (35 - 80kg bases)	
AWT05-508568	FEET Kit Q.ty 4	13, 14
AWT05-508569	PORTCAP FIXTURE Kit	32
AWT05-508570	LEVEL Kit	21, 25
AWT05-508571	INTERFACE CABLE Kit 12x14" (35 - 80kg bases)	22
AWT05-508733	INTERFACE CABLE Kit 9x12"	
AWT05-508572	INTERFACE GROUND kit	29
AWT05-508576	SHROUD Kit 12x14" (35 - 80kg bases)	24, 25
AWT05-508577	SHROUD Kit 9x12"	

BSQ Base Parts, refer to ZK840 Service Manual page 95



P/N	Description	item #
AWT05-508838	LOAD PAN Kit 1 & 5kg Bases	10
AWT05-508839	LOAD BRIDGE Kit 1 & 5kg Bases	6, 8, 9, 24, 29
AWT05-508570	LEVEL Kit	19, 25

BSQ Parts - refer to ZK840 Service Manual pages 96/97

AWT05-508578	HANDLE Kit
AWT05-508579	BSQ HARDWARE Kit
AWT05-508580	LCell ASSY Kit 1.5kg
AWT05-508581	LCell ASSY Kit 6kg
AWT05-508582	LCell ASSY Kit 35kg
AWT05-508583	LCell ASSY Kit 80kg
AWT05-508628	SPRINGS Kit 35kg
AWT05-508629	SPRINGS Kit 80kg

BMS Weighbridge

Fig.1 EasiPost Suspension

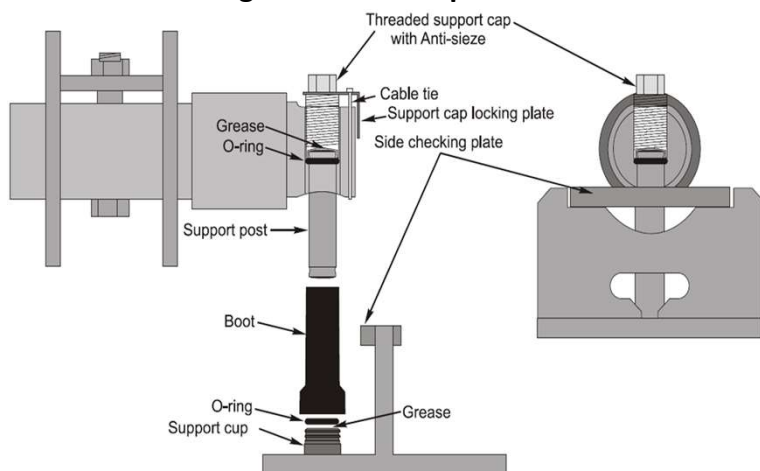
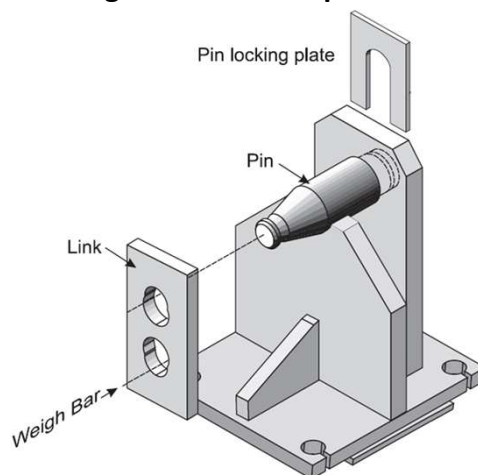


Fig.2 Pin&Link Suspension



EasiPost Suspension System

P/N	Description - Service Manual page 28	
AWT20-001155	EasiPost - PLATE 100MM RISER	<i>Fig.1</i> "" ""
AWT20-001156	EasiPost - PLATE 150MM RISER	
AWT20-001157	EasiPost - CKECKING PLATE-SIDE	
AWT27-500107	EasiPost - WBar Assy 34000KG, 82'CA	
AWT15-501011	EasiPost - SERVICE KIT	
	Threaded support cap, Q.ty 1 Support post, Q.ty 1 Support cup, Q.ty 1 Boot, Q.ty 1 O-Ring 1.16 ID x 1.582 OD, Q.ty 2 Support cap locking plate, Q.ty 1 Cable tie, .14" X 17.5", Q.ty 1	

Pin&Link Suspension System

P/N	Description - Service Manual page 28	
63314-704	PinLink - PIN HD	<i>Fig.2</i> "" "" "" ""
65336-189	PinLink - LINK HD	
63317-101	PinLink - PIN 22t	
65336-190	PinLink - LINK 22t	
65512-132	LOCKING PIN PLATE	

BMS Common Parts

P/N	Description - Service Manual page 28	
13723-017	M20 x25 HEX HD StSt Screw	
13802-114	M12 x140 HEX HD Bolt	
18137-453	GROUND CLAMP for 5/8inch Rod	
256696	HVU, M24, RESIN CAPSULE, BR/MONT	
332224	ANCHOR M24x210 HAS-E (HILTI)	
4501422	T-SECTION RUBBER BRIDGEMONT	

T302X Load Cell

P/N	
AWT05-053879	T302X GAITER & LOAD BUTTON KIT * <i>Strapper Clamp</i> <i>T302X Gaiter</i> <i>T302X Load Button</i> <i>Grease (Castrol AP3-100ml Pouch)</i>

** also compatible with T301X 30 tonnes cells*

ZB210 Junction Box

Fig.1 - ZB210 SG/LG

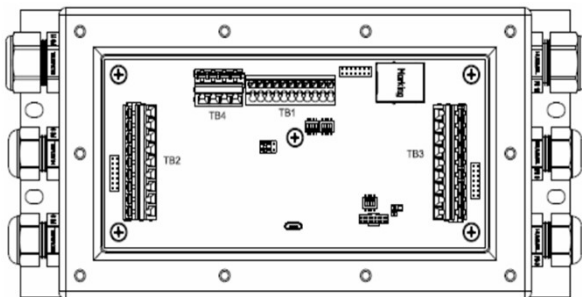
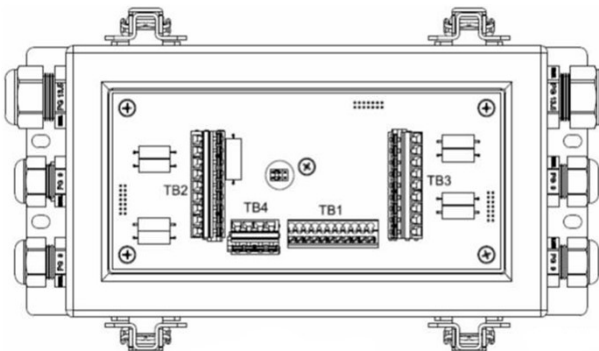
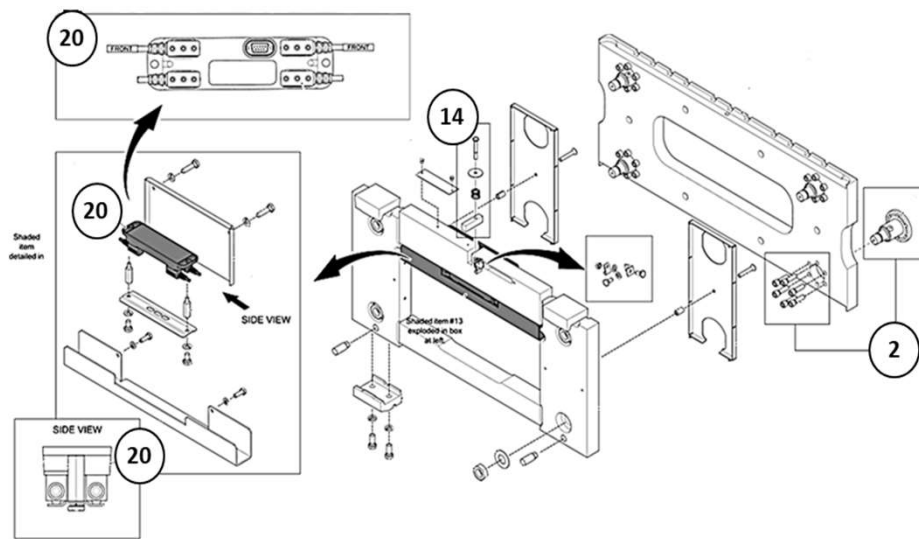


Fig.2 - ZB210 STVS



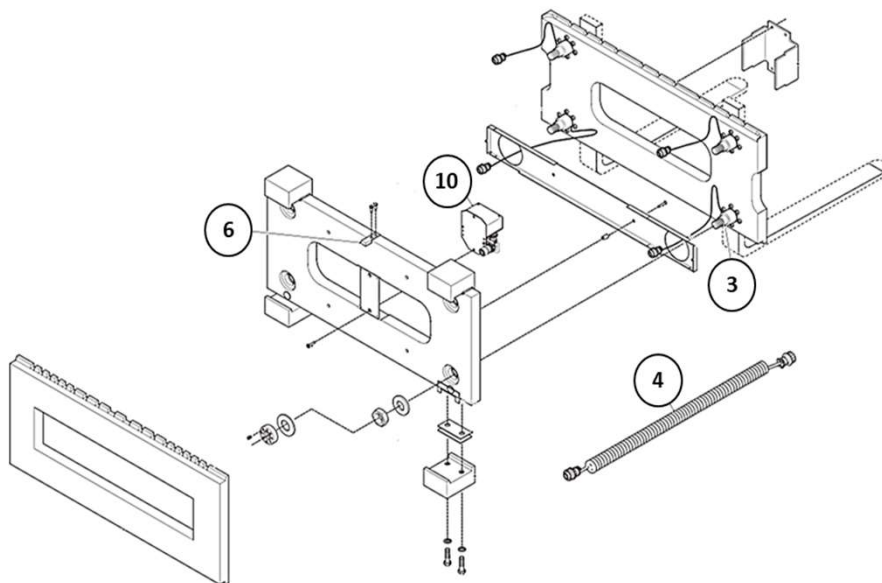
P/N	Description	
AWT05-509320	ZB210 MAIN Board Kit (all models)	<i>Fig. 1 and 2</i>
AWT05-509321	ZB210 STVS Board Kit	<i>Fig. 2</i>
AWT05-509328	COVER PLATE and GASKET (LG and SG Models)	<i>Fig. 1</i>
AWT05-509325	ENCLOSURE (STVS only)	<i>Fig. 2</i>
50072-0016	GASKET (q.ty 1, all models)	

FLSC Forklift Scale System



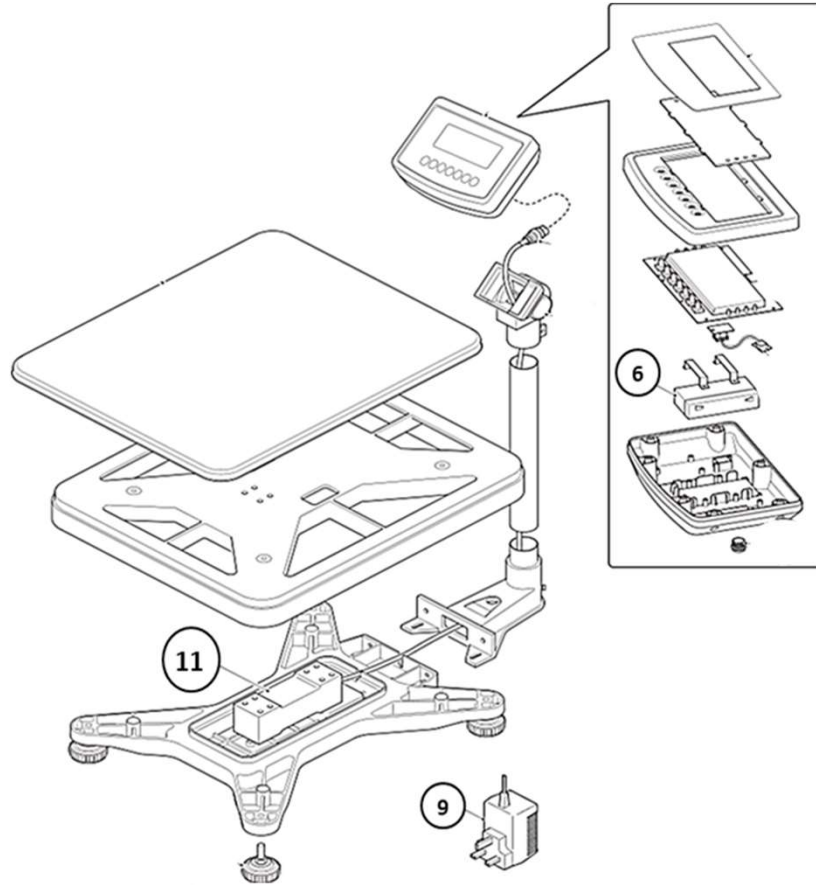
P/N	Description - Service Manual page 136	item #
AWT05-500939	CENTRE PIN kit (bolt, washer, spring, pin)	14
AWT05-500940	FLSC - 2.5t WBar Assy	2
AWT15-500114	FLSC - 2.5t J-Box FLJ100	20

QTLTSC Forklift Scale System



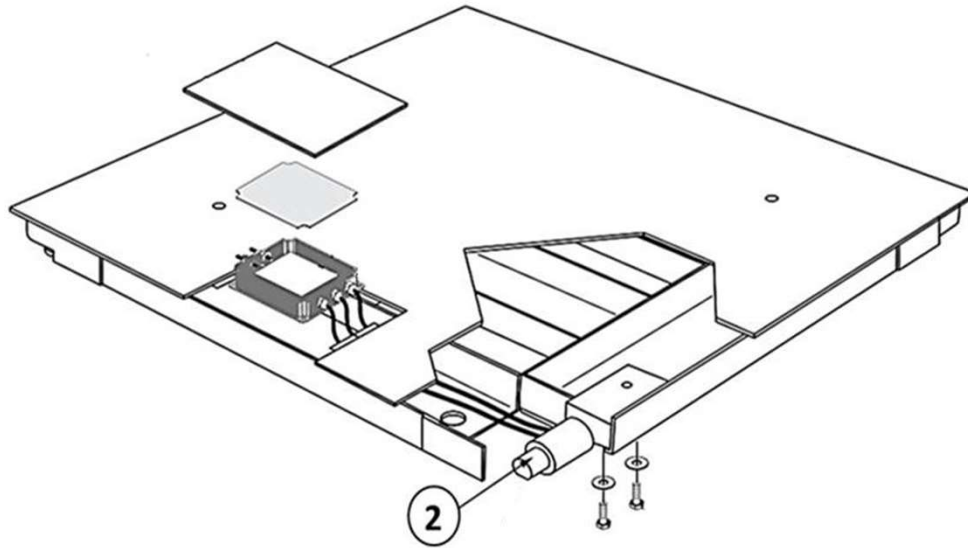
P/N	Description - Service Manual page 96	item #
19968-0026	CENTRE PIN Class 3 10K	6
48432-0023	RETRACTABLE CABLE 18'-20'	4
52040-0011	J-BOX Assy	10
55846-0010	WBar Kit QTLSC 2.5t	3
55846-1018	WBar Kit QTLSC 5t	

AWB 120 Bench Scale



P/N	Description	item #
AWT25-000934	REPLACEMENT BATTERY	6
AWT25-000935	UK PSU 9Vdc 800mA	9
AWT20-800005	EU PSU 9Vdc 800mA	
AWT20-001192	LCELL - 60kg scale	11
AWT20-001193	LCELL - 150kg scale	
AWT20-001194	LCELL - 300kg scale	

Platform H520



P/N	Description - Service Manual, page 22	item #
AWT27-500143	SHORT WB 250kg 5' cable	2

220 Axle Weigher

P/N		
AWT05-055499	T95 Loadcell & Mounting 10t	
CW-197PSH	LA95 SH Load Cell PIN	
CW-197PLD	LA95 LD Load Cell PIN	
CW-186	T95 103 C3 SS 10T	

Avery Weigh-Tronix



Avery Weigh-Tronix USA

1000 Armstrong Dr.
Fairmont MN 56031 USA
Tel:507-238-4461
Fax:507-238-4195
Email: usinfo@awtxglobal.com
www.averyweigh-tronix.com

Avery Weigh-Tronix UK

Foundry Lane,
Smethwick, West Midlands,
England B66 2LP
Tel:+44 (0) 8453 66 77 88
Fax:+44 (0)121 224 8183
Email: info@awtxglobal.com
www.averyweigh-tronix.com